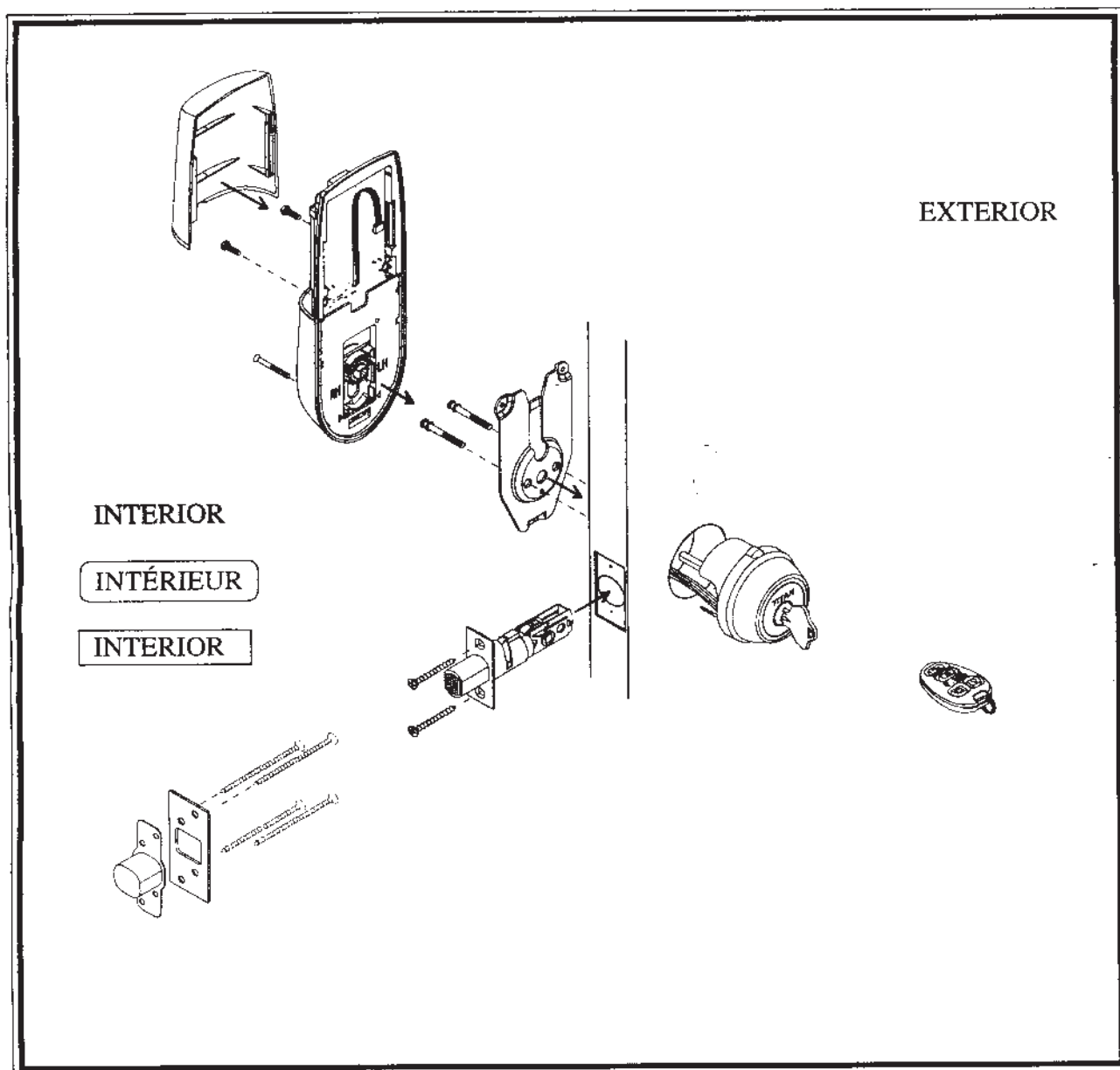


# AccessOne™

With Lifetime *finish* Warranty

## OWNER'S MANUAL AND INSTALLATION INSTRUCTIONS



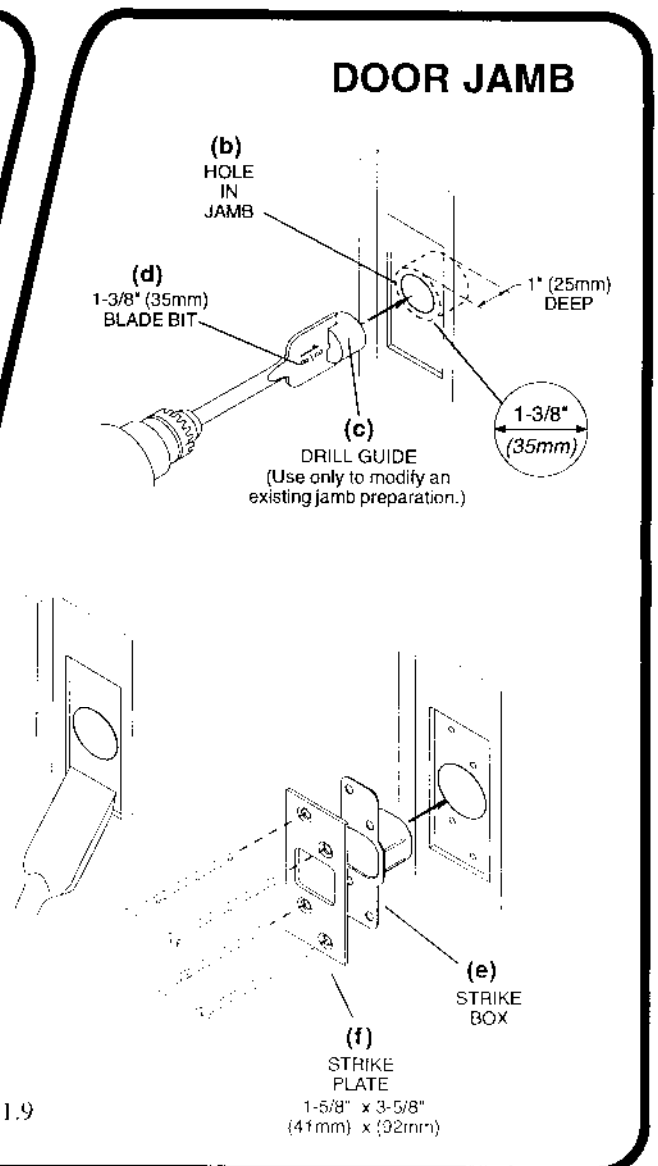
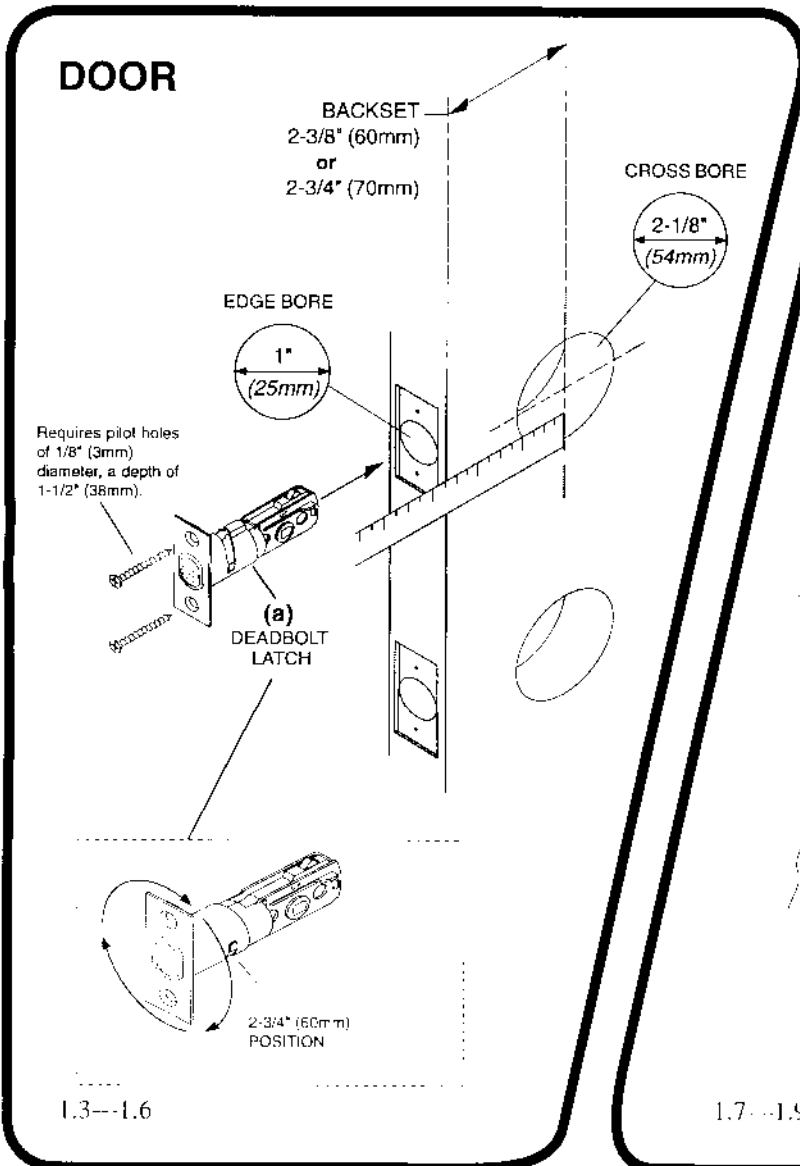
Copyright ©1998 Kwikset Corporation

LTF. Deadbolt. Inst. Manual 18642-001/01

## 1.0 Door & Jamb Preparation / Latch Installation.

- 1.1 For new door preparation, begin by following drilling instructions on the template included.
- 1.2 Remove any existing hardware from door and jamb.
- 1.3 Determine backset of door by measuring from edge of door to center of large hole.
- 1.4 Adjust deadbolt latch **(a)** for a 2-3/4" (70mm) backset position **if required**, by rotating 1/2 turn.
- 1.5 Insert deadbolt latch through hole in edge of door.
- 1.6 Secure latch with two 1-1/2" (38mm) wood screws (for metal doors use 3/4" (19mm) screws provided).
- 1.7 For door jamb with an existing hole preparation: Enlarge hole in jamb **(b)** by firmly placing the drill guide **(c)** (supplied) onto a 1-3/8" (35mm) blade bit **(d)** and drilling about halfway into existing 1" (25mm) hole. With drill in off position, remove drill guide from bit. Finish drilling the 1-3/8" (35mm) diameter hole 1" (25mm) deep. For new doors, disregard use of the drill guide.
- 1.8 Chisel out any area required to allow strike box **(e)** and strike plate **(f)** to mount flush onto jamb.
- 1.9 Install oversized strike box and strike plate. The 3" (76mm) wood screws require 9/64" (3,6mm) diameter pilot holes with a minimum depth of 2-1/2" (64mm) deep.

**IMPORTANT!** For successful operation of the remote controlled mechanism, it is **mandatory** to have a 1-3/8" (35mm) diameter hole 1" (25mm) deep in the door jamb, while utilizing the oversized strike & strike box to eliminate bolt load.



## 2.0 Installation of Deadbolt Assembly

2.1 Open door to ease installation.

2.2 Place exterior deadbolt assembly (a) on exterior of door, aligning tailpiece (b) through deadbolt latch while passing the wire (c) under the deadbolt latch to the interior side of the door.

2.3 On interior side of door, place mounting plate (d) so that wire (c) is routed up through bridge (e) in plate, and recess of mounting plate is aligned with center of large hole. Note: make sure mounting plate is oriented with arrow pointing upward.

2.4 Take slack out of wire and ensure that connector (f) is oriented as shown.

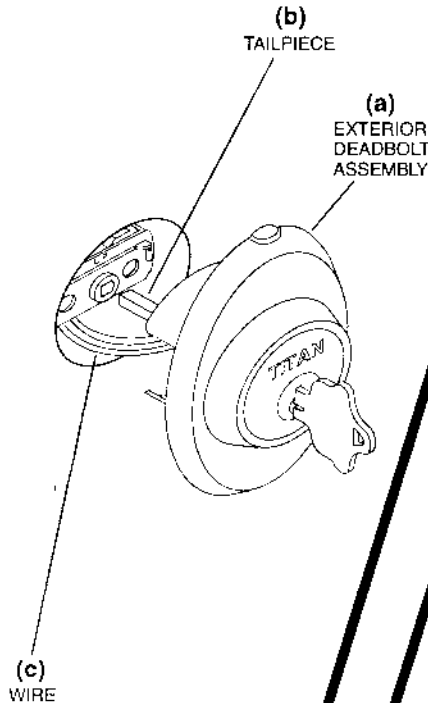
2.5 Secure mounting plate to door using washers on black screws (g) which engage with threaded holes of exterior key cylinder.

**NOTE: Be sure to avoid wire and do not fully tighten screws at this point.**

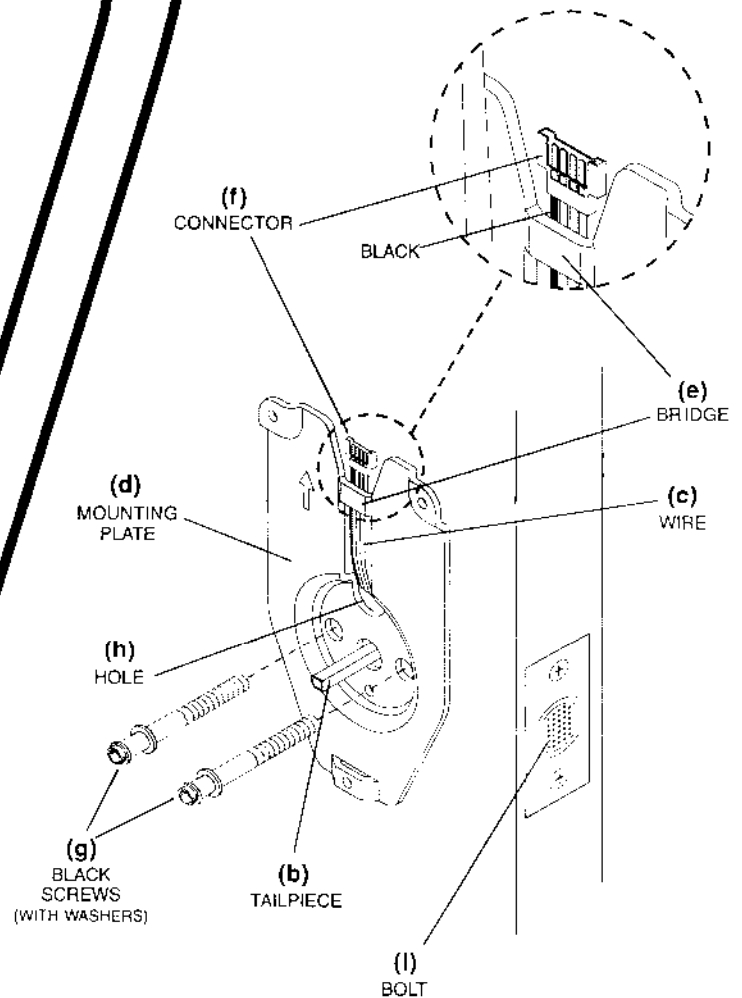
2.6 Insert wire slack back into hole (h) so that connector is positioned in the "V" section of mounting plate (as shown).

2.7 Check function of deadbolt by grasping tailpiece (b) with fingers and rotating to extend / retract bolt (i). If excessive force is required to operate bolt, the mounting plate or the exterior deadbolt housing may be misaligned or the wire may be interfering with bolt operation. **To remedy, adjust wire, reposition mounting plate/ exterior deadbolt assembly or check for correct door preparation.**

2.8 Once trouble-free operation of the bolt has been confirmed, ensure that mounting plate is **positioned vertically** and tighten black screws to secure assembly. **Do not overtighten screws.**



2.2



2.3--2.7

### 3.0 Receiver Module Installation

3.1 Determine handing of door by referring to diagram.

3.2 Units are prepackaged in **right-handed (RH) configurations** (unless specified otherwise). If you determined your door to be right handed in step 3.1, skip to step 3.4.

3.3 **Adjustment for left-handed doors:** 1. Carefully remove the insert rack (a) using a **small flat object** (screwdriver, knife, etc.). 2. Place the turnpiece (b) in a straight vertical position. 3. Align the feet of the slider mechanism (c) with the arrows (d) on the receiver unit. If correctly positioned, the tabs (e) of the slider mechanism should center with the lettering on unit. 4. Assuring that the turnpiece does not rotate from it's vertical position, match the round end of insert rack to round opening of slider mechanism and snap insert rack into position for a (LH) left handed door. **Important:** Bolt will not fully extend or retract if rack insert is not installed properly.

3.4 Extend bolt (f) by rotating tailpiece (g) or using key.

3.5 Remove battery cover (h) from receiver module (i) by pushing in on cover and sliding it upward.

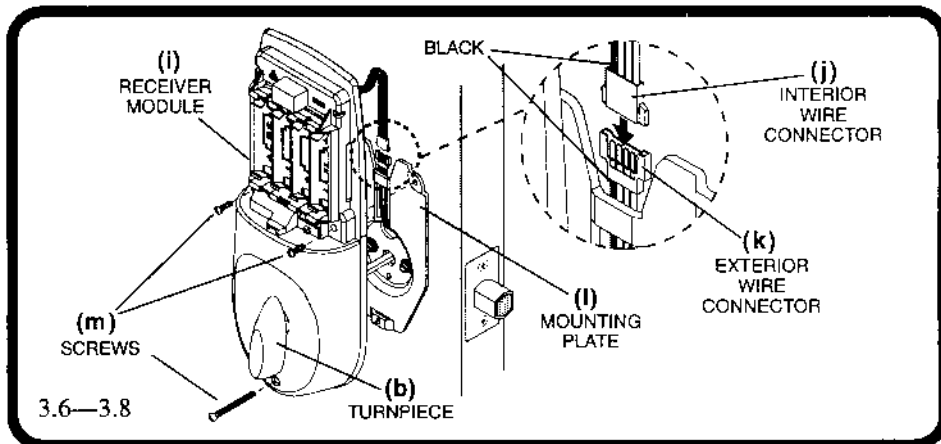
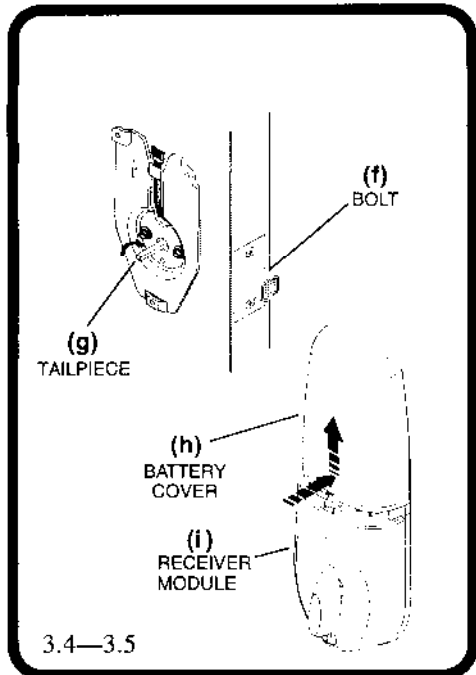
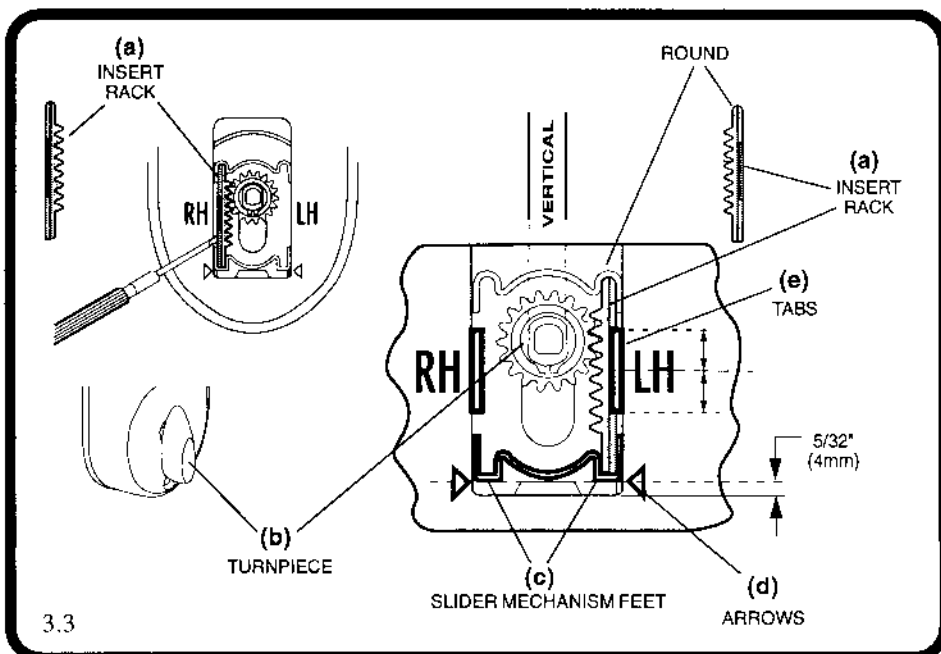
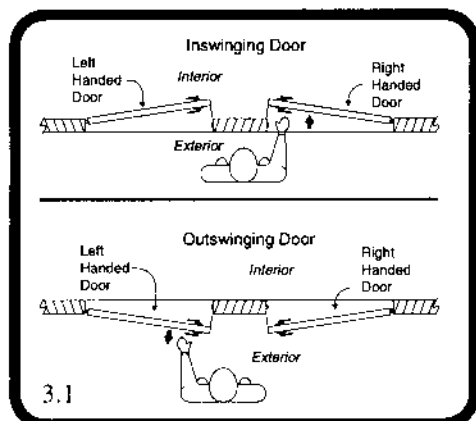
3.6 With turnpiece (b) in **vertical position**, connect interior wire connector (j) to exterior wire connector (k).

3.7 Position receiver module (i) over mounting plate (l) so **turnpiece engages with tailpiece**, while looping the wire as shown.

3.8 Secure receiver module to mounting plate using the screws (m) provided. **Do not over tighten screws.**

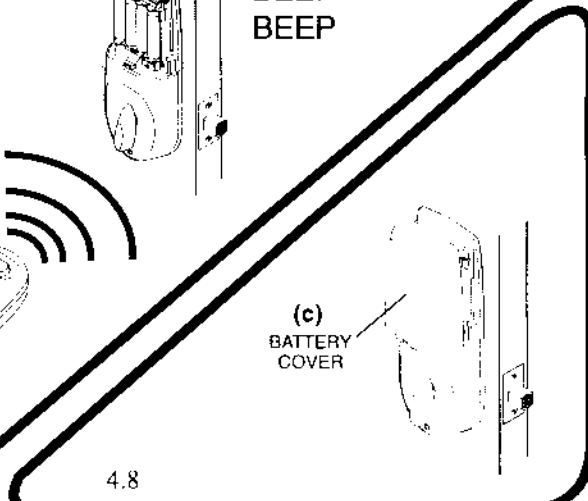
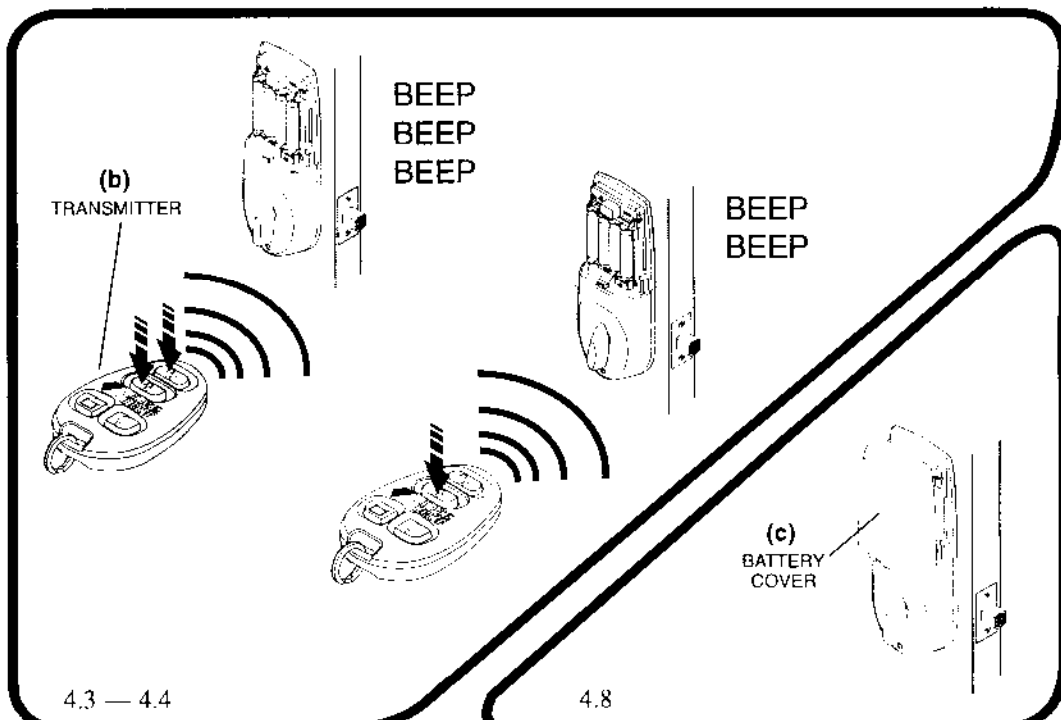
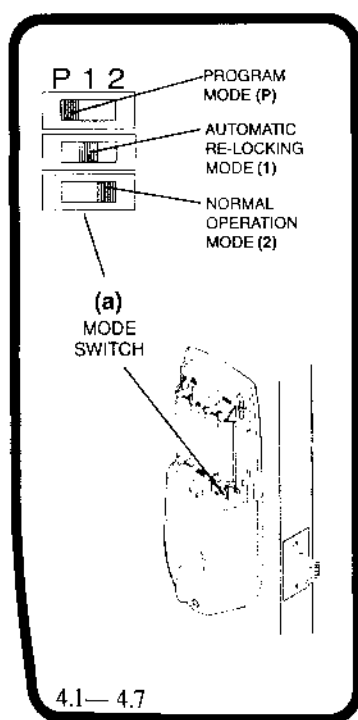
3.9 Check operation of the deadbolt by **manually turning** the turnpiece or using the key. Bolt should extend and retract freely.

3.10 Install (4) AA alkaline batteries as indicated by the markings on receiver module. Unit will beep to indicate it is powered up.



## 4.0 Programming Transmitters.

- 4.1 Open door so that audio signals can be heard, and exterior deadbolt housing is visible during programming.
- 4.2 Place the receiver into **PROGRAM MODE (P)** by sliding the **MODE** switch **(a)** (located in battery compartment) to the left most position. You will hear 2 audible beeps and the exterior deadbolt light will illuminate red to confirm you have entered **PROGRAM MODE**.
- 4.3 Point the (remote control) transmitter **(b)** toward the receiver module and push the **LOCK** and **UNLOCK** buttons simultaneously. You will shortly hear 3 audio beeps and the exterior deadbolt light will illuminate green.
- 4.4 Push the LOCK button. You will hear 2 audio beeps confirming that the receiver now recognizes the transmitter and has stored it in memory. The exterior deadbolt light will illuminate red signaling that additional transmitters may be programmed at this time.
- 4.5 Additional transmitters may be added to the receiver module memory by repeating steps 4.3 and 4.4 until all transmitters have been programmed into the receiver memory. Up to 12 transmitters can be programmed to operate 1 lockset. If more than 12 transmitters are programmed within a single programming cycle, the lockset will provide a single audio error and **WILL NOT** allow the thirteenth transmitter to be programmed.
- 4.6 Once all transmitters have been added to the system, place the **MODE** switch to correspond to either of the operational modes described as follow:
- **AUTOMATIC RE-LOCK MODE (1)** - bolt will re-lock 30 seconds after having been unlocked with the remote control. In this mode, the lockset will only re-lock automatically if: (1) the lockset is set in the RE-LOCK mode and (2) the lockset has been remotely unlocked. Manually unlocking the door (via key or turning turnpiece) will **NOT** cause the lockset to automatically re-lock. **Important, use caution in this mode to avoid accidental lockout.**
  - **NORMAL OPERATION MODE (2)** - bolt will remain unlocked after having been unlocked with the remote control.
- 4.7 After exiting **PROGRAM MODE**, the unit will provide 2 audio confirmation beeps. **Note:** if you do not exit program mode after programming, the remote function will not operate, the exterior light will remain illuminated and the interior LockMinder™ will **not** illuminate when the bolt is locked.
- Notes:**
- Entering **PROGRAM MODE** and executing steps 4.3 through 4.5 will erase any previously programmed transmitters from the receiver memory, this provides a safety feature should a transmitter be lost. However accidentally entering program mode (4.2) without completing subsequent steps should not affect the memory.
  - Once a programming cycle is complete, this particular series of transmitters will stay in memory until the next **PROGRAM** cycle is performed.
  - Programming erases all previously recorded transmitters in memory. Therefore, adding additional transmitters to a series of transmitters already programmed will require reprogramming all the transmitters in one programming cycle.
  - Programmed transmitters will stay in memory even if batteries are removed or battery life is exhausted.
  - **EACH** transmitter can be programmed to operate **SEVERAL** locksets.
- 4.8 Position cover over batteries and snap battery cover **(c)** onto module.



## 5.0 Operational Features

5.1 To remote **LOCK** the deadbolt, point transmitter towards door, push the **LOCK** icon on transmitter. The bolt will extend, **3 audio beeps** will signal and the light on the exterior deadbolt housing will flash **red** for several seconds.

5.2 To remote **UNLOCK** the deadbolt, point transmitter towards door, push the **UNLOCK** icon on transmitter. The bolt will retract, **1 long audio beep** will signal and the light on the exterior deadbolt housing will flash **green** for several seconds.

### NOTE:

- If the LOCK button is pressed and the lockset is already set in the locked position, the system will provide the audio & visual LOCK signal to remind you that it is locked.
- Conversely, the system will provide the audio & visual UNLOCK signal when the UNLOCK button is pressed and the lockset is already set in the unlocked position.

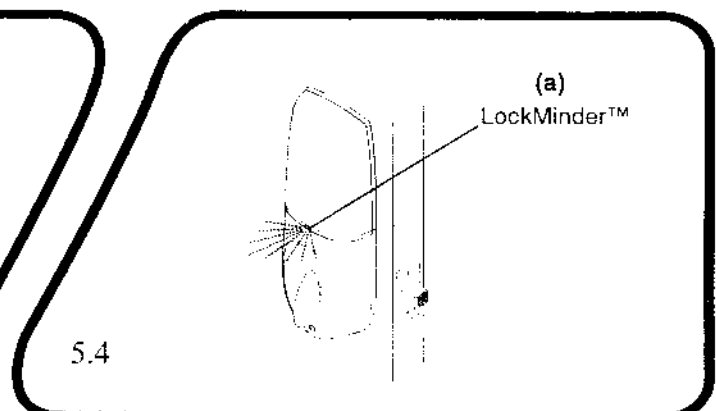
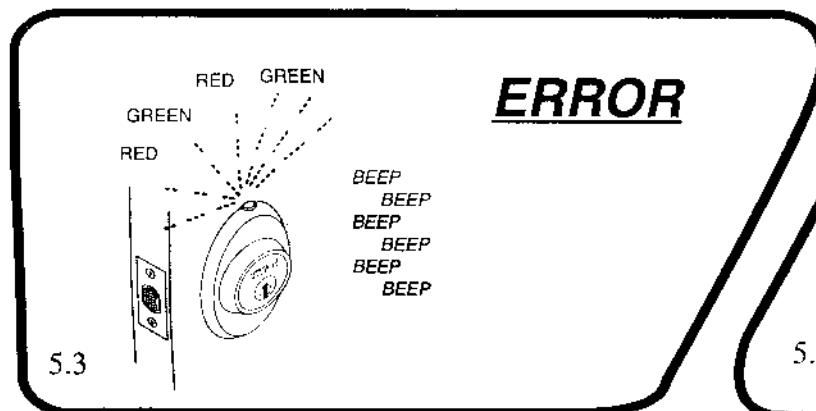
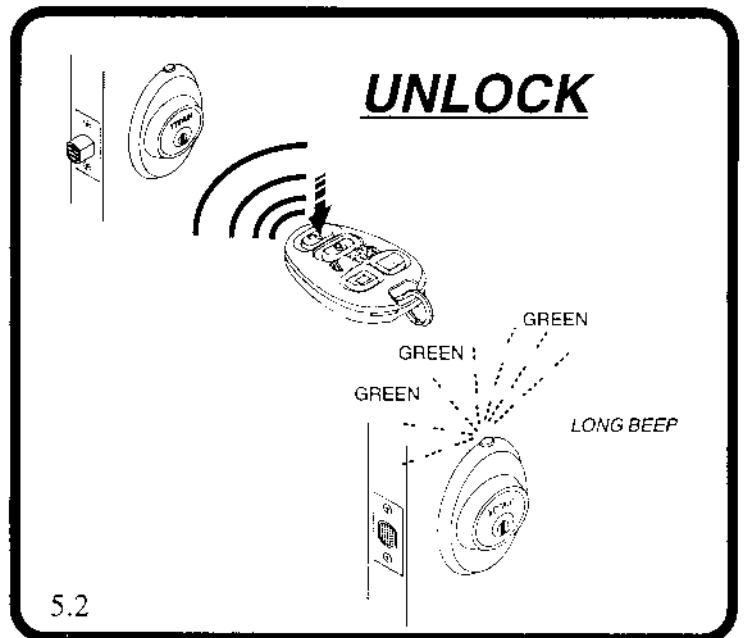
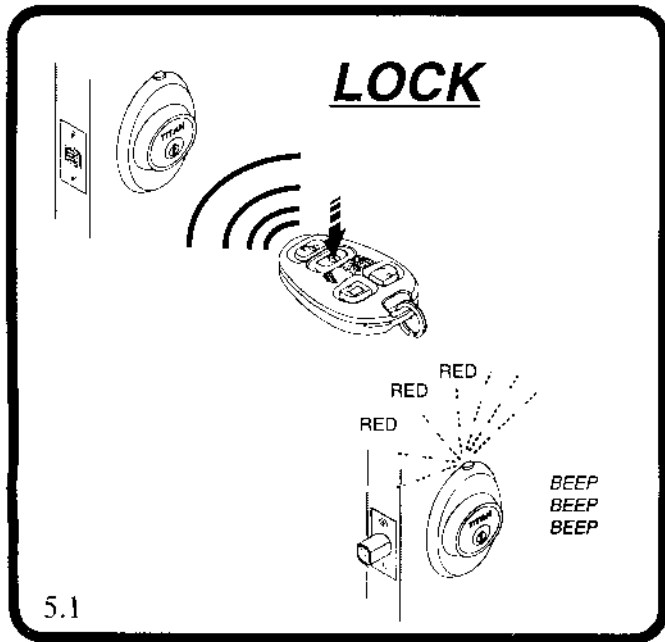
5.3 In the event that the unit is unsuccessful at remote locking or unlocking the bolt, an **ERROR SIGNAL** will occur which consists of **repeating audio beeps** and **alternating RED and GREEN FLASHING LIGHTS** on the exterior deadbolt housing.

5.4 When the bolt is in a locked position, the **LockMinder™ (a)** on the interior receiver module will illuminate. When **batteries are low**, the LockMinder™ will **flash** when activated to indicate a **low battery condition**. The flashing light will continue until battery life is exhausted or batteries are replaced.

5.5 The deadbolt can be locked and unlocked **manually**, either by turnpiece from the interior or by key from the exterior.

**NOTE:** Other buttons on transmitter are compatible with other AccessOne™ products.

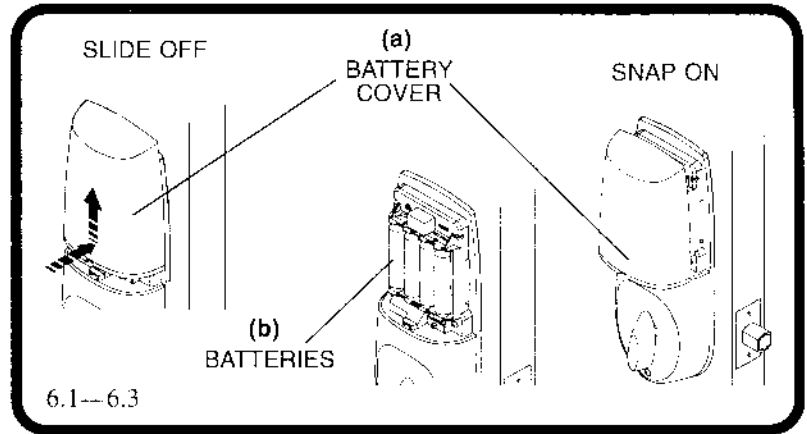
**NOTE:** In the unlikely event that the remote operation mechanism becomes jammed, the mechanism may be manually overridden by applying additional torque to the turnpiece or key.



## 6.0 Replacing Receiver Module Batteries

- 6.1 Remove battery cover (a) by pushing in at center of cover and sliding up and off.
- 6.2 Install (4) AA alkaline batteries (b) as indicated by the markings on receiver module. Unit will beep to indicate it is powered up. Note: For optimum performance, do not use rechargeable batteries.
- 6.3 Snap cover back onto module.

**Note:** Low temperatures can inhibit battery performance and does not necessarily indicate a malfunction of the unit.

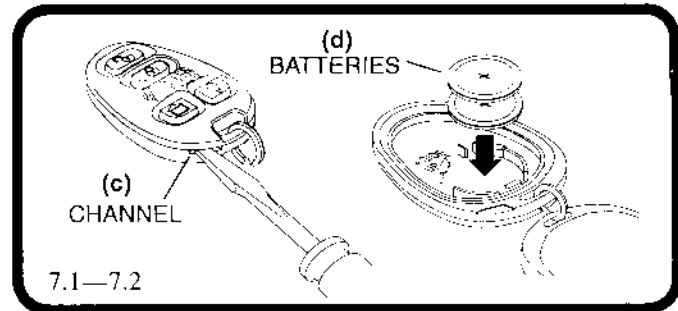


## 7.0 Replacing Transmitter Batteries

- 7.1 Separate top and bottom case halves using the channel (c) near the metal ring. Remove old batteries.
- 7.2 Using (2) Lithium batteries (d) (Panasonic CR2016 or equivalent) install new batteries (+ side up) as indicated.
- 7.3 Snap top case onto bottom case.

**Note:** There is no need to reprogram the transmitter.

**Note:** Battery may explode if mistreated. Do not recharge, disassemble or dispose of in fire. Dispose Of Used Batteries Promptly, Keep Away From Children.



## 8.0 Specification & Warranty.

### Electronic Receiver

Power Supply	Four standard AA size Alkaline batteries (not included).
Operating Voltage	4.0 - 6.5 Volt DC
Battery Life	Up to one (1) year.
Memory	Permanently stored programmable read only memory (PROM)
Capability	Up to twelve (12) transmitters.
Range	Up to 30 ft.
Operating Frequency	390MHz $\pm$ 250 KHz
Operating Temperature	+32F to +131F (0C to +55C)

### Electronic Transmitter

Power Supply	Two (2) Lithium coin cell batteries (Panasonic CR2016 or equivalent)
Battery Life	Up to five (5) years.
Operating temperature	+32F to +131F (0C to +55C)

This device complies with part 15 of the FCC Rules. Operation is subject to the following two conditions: (1) This device may not cause harmful interference, and (2) this device must accept any interference received, including interference that may cause undesired operation. NOTE: This equipment has been tested and found to comply with the limits for a Class B digital device, pursuant to Part 15 of the FCC Rules. These limits are designed to provide reasonable protection against harmful interference in a residential installation. This equipment generates, uses and can radiate radio frequency energy and, if not installed and used in accordance with the instructions, may cause harmful interference to radio communications. However, there is no guarantee that interference will not occur in a particular installation. If this equipment does cause harmful interference to radio or television reception, which can be determined by turning the equipment off and on, the user is encouraged to try to correct the interference by one or more of the following measures: (1) increase the separation between the equipment and receiver, (2) consult the dealer or an experienced radio/TV technician for help.

### FULL LIFETIME MECHANICAL WARRANTY FULL LIFETIME FINISH WARRANTY ONE YEAR ON ELECTRICAL COMPONENTS

This product comes with a lifetime mechanical warranty and a lifetime finish warranty to the original residential user of **TITAN** products against defects in material and workmanship as long as the original user occupies the residential premises upon which the Product was originally installed. **All electrical components are covered by a One Year Limited Warranty.** This warranty DOES NOT COVER abused or misused products or products used in commercial applications. Upon return of a defective product to Kwikset Corporation, Kwikset shall either replace the Product or refund the purchase price. If a finish or mechanical defect occurs, call 1-800-327-LOCK (5625) in the U.S. and Canada or return it to Kwikset Corporation, Consumer Services, 516 East Santa Ana Street, Anaheim, California 92803-4250. For customers outside of the U.S. and Canada, claims under this warranty must be made only to either the place of purchase or to the listed importer. A finish deterioration occurring from the use of paints, solvents or other chemicals is not a defect in the finish and is not covered by this warranty. **Kwikset is not liable for incidental or consequential damages.** Some states do not allow the exclusion or limitation of incidental or consequential damages, so the above exclusion may not apply to you. This warranty gives you specific legal rights and you may also have other rights that vary from state to state.

# 9.0 Troubleshooting

Problem Description	Possible Cause	See Section
•Unable to remote operate lockset.	<ul style="list-style-type: none"> <li>•Low batteries in transmitter. — — — — —</li> <li>•Low batteries in receiver module. — — — — —</li> <li>•Excessive load on bolt. — — — — —</li> <li>•Receiver not programmed to recognize a particular transmitter. — — — — —</li> </ul>	<ul style="list-style-type: none"> <li>7.0</li> <li>5.4 &amp; 6.0</li> <li>1.7, 2.7 &amp; 2.8</li> <li>4.0</li> </ul>
•LockMinder does not light up when bolt is locked.	<ul style="list-style-type: none"> <li>•Low batteries in receiver module. — — — — —</li> <li>•Insert rack installed improperly. — — — — —</li> <li>•Receiver remained in program mode. — — — — —</li> </ul>	<ul style="list-style-type: none"> <li>5.4 &amp; 6.0</li> <li>3.1 — 3.3</li> <li>4.7</li> </ul>
•Bolt requires excessive turning force to operate manually.	<ul style="list-style-type: none"> <li>•Misalignment of receiver module and exterior deadbolt housing. — — — — —</li> <li>•Excessive load on bolt. — — — — —</li> <li>•Wire connector interfering with bolt operation. — — — — —</li> </ul>	<ul style="list-style-type: none"> <li>2.3, 2.7 &amp; 2.8</li> <li>1.7, 2.3, 2.7 &amp; 2.8</li> <li>2.2 — 2.8</li> </ul>
•Exterior audio visual status indicators do not function.	<ul style="list-style-type: none"> <li>•Wire connector installed incorrectly. — — — — —</li> </ul>	3.6
•LockMinder flashes.	<ul style="list-style-type: none"> <li>•Low batteries in receiver module. — — — — —</li> </ul>	5.4 & 6.0
•Unable to remove battery cover.	<ul style="list-style-type: none"> <li>•Review battery cover removal procedure. — — — — —</li> </ul>	3.5
•Can't program receiver to accept transmitter.	<ul style="list-style-type: none"> <li>•Review programming procedure. — — — — —</li> </ul>	4.0
•Bolt automatically re-locks after being remote unlocked.	<ul style="list-style-type: none"> <li>•Auto re-lock activated, review mode switch definitions. — — — — —</li> </ul>	4.6
•Reduced transmitter range.	<ul style="list-style-type: none"> <li>•Low batteries in transmitter. — — — — —</li> <li>•Low batteries in receiver module. — — — — —</li> </ul>	<ul style="list-style-type: none"> <li>7.0</li> <li>5.4 &amp; 6.0</li> </ul>
•Receive error signal when remote activating bolt.	<ul style="list-style-type: none"> <li>•Misalignment of receiver module and exterior deadbolt housing. — — — — —</li> <li>•Excessive load on bolt. — — — — —</li> <li>•Insert rack inserted improperly. — — — — —</li> <li>•Wire connector installed incorrectly. — — — — —</li> <li>•Low batteries in receiver module. — — — — —</li> </ul>	<ul style="list-style-type: none"> <li>2.3, 2.7 &amp; 2.8</li> <li>1.7, 2.3, 2.7 &amp; 2.8</li> <li>3.1 — 3.3</li> <li>3.6</li> <li>5.4 &amp; 6.0</li> </ul>

# 10.0 Use and Care

- 10.1 **Cleaning** — Water, dirt, grease or other contaminants may affect the operation of the deadbolt. With a clean damp cloth, *periodically wipe* the unit to remove contaminants
- 10.2 **Battery Housing** — Check for corrosion of battery terminals inside battery housing. To ensure proper contact, keep terminals free of corrosion. Immediately replace leaking or corroded batteries.

Toll Free Installation Information  
**1-800-327-LOCK U.S.A. & CANADA**

Kwikset Corporation  
 516 East Santa Ana Street  
 Anaheim, California 92803-4250





# AccessOne™

## Programming Your AccessOne Remote Control for Genie® Intellicode® & Overhead Door® - Code Dodger® Garage Door Opener Systems

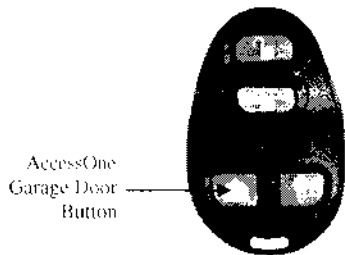
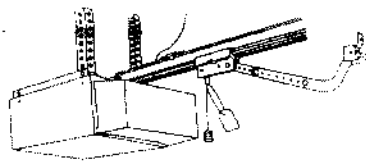
### *Compatibility*

Your AccessOne Remote Control is compatible with Genie Intellicode and Overhead Door - CodeDodger garage door opener systems. First determine if your existing garage door opener system is compatible by identifying either the Genie Intellicode or Overhead Door-Code Dodger name on the garage door opener unit. In the event you currently do not own either of these systems, you can still enjoy garage door access using your AccessOne remote control by installing a Genie Intellicode Universal Conversion Kit. The button on your AccessOne remote control which displays the garage door icon functions like the button on your existing garage door opener remote control.

### *Programming*

- Step 1 Locate the receiver learn code button and flash indicator on the rear of your garage door unit. For Genie Conversion Kit, learn code button and flash indicator are located inside unit cover.
- Step 2 Press and release the learn code button, flash indicator will begin to blink.
- Step 3 Press the AccessOne garage door button and the flash indicator will light continuously.
- Step 4 Press the AccessOne garage door button a second time and the flash indicator will go out. Your AccessOne remote control is now programmed to operate the garage door.

Note: You must perform steps 2 and 3 within 30 seconds. If the flash indicator begins to blink rapidly, you must repeat steps 2 and 3. For additional remote controls, repeat steps 2 through 4. up to 7 remote controls may be programmed to operate each garage door.



Questions? Call Kwikset Customer Service at 1-800-327-LOCK or Genie Customer Service at 1-800-35-GENIE

# To Our Valued Customer

*Congratulations and thank you for purchasing a TITAN AccessOne Lockset. Your AccessOne Lockset is an exciting new product that offers the ultimate in convenience and security by integrating conventional lockset engineering with the most secure form of radio frequency technology available. There are several key features of your AccessOne Lockset that we wish to highlight.*

## ROLLING CODE TECHNOLOGY

Your AccessOne Lockset incorporates Rolling Code Technology, an advanced form of radio frequency transmission. This technology makes it possible for the transmitter (remote control) and receiver (lockset) signal to simultaneously change access combinations each time the door is remotely locked or unlocked. The continuously changing codes prevent code grabbers from gaining electronic access to your home. With over four billion possible combinations, rolling code technology provides the greatest level of home security available.

## LOCKSET OPERATING MODES

The AccessOne lockset is equipped with a 3-position switch (located under the battery cover) that sets the locksets in one of three modes:

- |                    |                                      |
|--------------------|--------------------------------------|
| P: LEFT Position   | PROGRAM Mode                         |
| 1: CENTER Position | AUTOMATIC RE-LOCK Mode (LOCK/UNLOCK) |
| 2: RIGHT Position  | NORMAL OPERATION Mode (LOCK/UNLOCK)  |

ALL "Remote Keyless Entry" locksets are factory preset to Mode "2" NORMAL OPERATION Mode upon shipment.

## NORMAL OPERATION Mode (LOCK/UNLOCK)

Your AccessOne Lockset locks & unlocks your door from up to 30 feet away while providing distinct visual & audio confirmation for each operation.

## AUTOMATIC RE-LOCK Mode (LOCK/UNLOCK)

Set in this optional mode, pressing the UNLOCK button will unlock the door for a period of 30 seconds. At which point, the lockset will *automatically* re-lock. This features guards against unintended activation and provides peace of mind that your door is securely locked.

## LockMinder™

Your AccessOne Lockset features LockMinder™, the locked indicator light. Setting the deadbolt in the locked position, the RED light on the interior rose illuminates. LockMinder™ provides visual confirmation that your door is locked.

## LOW BATTERY INDICATOR

Your AccessOne Lockset is designed with a low battery indicator system that reminds you to replace the batteries BEFORE power is lost. When your batteries are low, LockMinder™ will flash when activated, providing visual confirmation of the battery status.

## PROGRAM

Each AccessOne Transmitter programs easily to your AccessOne Lockset in just three key steps. Up to twelve AccessOne Transmitters can be programmed to operate *each* AccessOne Lockset. Each AccessOne Transmitter can be programmed to operate *several* AccessOne Locksets.

## POWER

Your AccessOne Lockset operates using 4 standard AA batteries with a battery life up to 1 year. The transmitter uses 2 lithium batteries with a battery life of up to 5 years. Your AccessOne transmitter batteries are factory installed. It is simple and easy to replace the batteries in your AccessOne products.

## AccessOne COMPATIBILITY

Expand your AccessOne home system for additional security and convenience. AccessOne products include lighting systems, garage door opener systems and AccessOne accessory products.

Toil Free Installation Information  
1-800-327-LOCK U.S.A. & CANADA

Kwikset Corporation  
516 East Santa Ana Street  
Anaheim, California 92803-4250

A  
  
COMPANY

## TABLE OF CONTENTS

1.0 Door & Jamb Preparation / Latch Installation	E-2
2.0 Installation of Deadbolt Assembly	E-3
3.0 Receiver Module Installation	E-4
4.0 Programming Transmitters	E-5
5.0 Operational Features	E-6
6.0 Replacing Receiver Module Batteries	E-7
7.0 Replacing Transmitter Batteries	E-7
8.0 Specifications & Warranty	E-7
9.0 Troubleshooting	E-8
10.0 Use and Care	E-8