

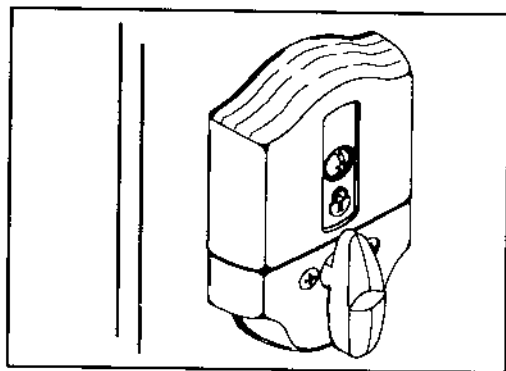
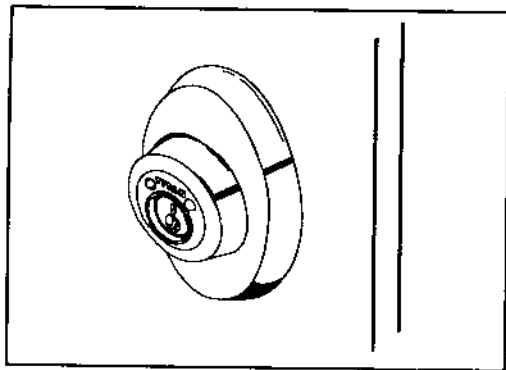
NightSight™

Lighted Key Guide
DEADBOLT
Model 864 (Lifetime Finish)



featuring
LockMinder™
Locked Indicator Light

- **INSTALLATION AND OPERATION INSTRUCTIONS**
- **INSTRUCCIONES DE INSTALACION Y DE OPERACION**
- **INSTRUCTIONS D'INSTALLATION ET FONCTIONNEMENT**



ENGLISH

DESCRIPTION AND FEATURES

Titan Technologies' NightSight™ Deadbolt (Model 864) incorporates the latest advancements in motion sensor and photocell technology to provide the ultimate deadbolt for maximum security and convenience.

The NightSight™ deadbolt is a single cylinder deadbolt that provides a lighted keyway on the exterior side of the door which allows for quick and safe door entry.

Designed into the deadbolt is a fully integrated infrared module that includes a photo cell and motion detector. The photo cell turns on the NightSight™ deadbolt system in dark (night) environments and sets the system in "sleep mode" during daylight environments.

The lighted keyway is activated when the motion sensor detects motion within a 3 to 5 foot (.9m. to 1,5m.) range of the NightSight™ deadbolt. The sophisticated motion sensor identifies and ignores stationary objects such as screen doors. This reduces the chance of faulty activation while maximizing battery life. Once the consumer enters the door and shuts the door, the lighted keyway will shut off 4 seconds after motion has stopped.

The NightSight™ deadbolt also includes the LockMinder™ feature which is a locked indicator light on the interior side of the door. When the deadbolt is set in its locked position, the LockMinder™ LED will light, providing visual confirmation that the deadbolt is securely locked.

The NightSight™ deadbolt is powered by 2 standard AA batteries. Under normal operating conditions, the battery life expectancy is 1 year. Batteries are purchased separately.

SPECIFICATIONS

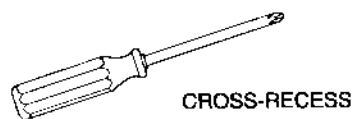
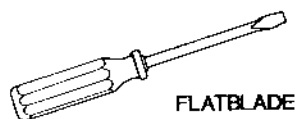
Power Requirements	Two standard AA batteries (not included). Alkaline batteries are recommended
Voltage	2.2 - 3.3 volts dc
Detection Range	3 to 5 feet (.9m. to 1,5m.) Range will vary due to ambient light conditions and color of clothing
Sensing Angle	40° to 80°
Operating Temperature	-40° F to 149° F (-40° C to +65° C)
Operating Humidity	95% RH @ 104° F (40° C)
Storage Temperature	-40° F to 212° F (-40° C to +100° C)
Trigger Response	0.5 seconds
On Time Duration	Light remains on 8 seconds after motion stops
Battery Life	Up to 1 year. (Battery life will vary depending on ambient light, amount of daylight, temperature and frequency of activation)

WARNING

DO NOT DISPOSE OF BATTERIES IN FIRE-THEY MAY EXPLODE. DO NOT SWALLOW BATTERIES. IF AN AA BATTERY IS SWALLOWED, CONTACT YOUR LOCAL POISON CONTROL CENTER, YOUR PHYSICIAN, OR THE NATIONAL BATTERY INGESTION HOTLINE AT (202) 625-3333.

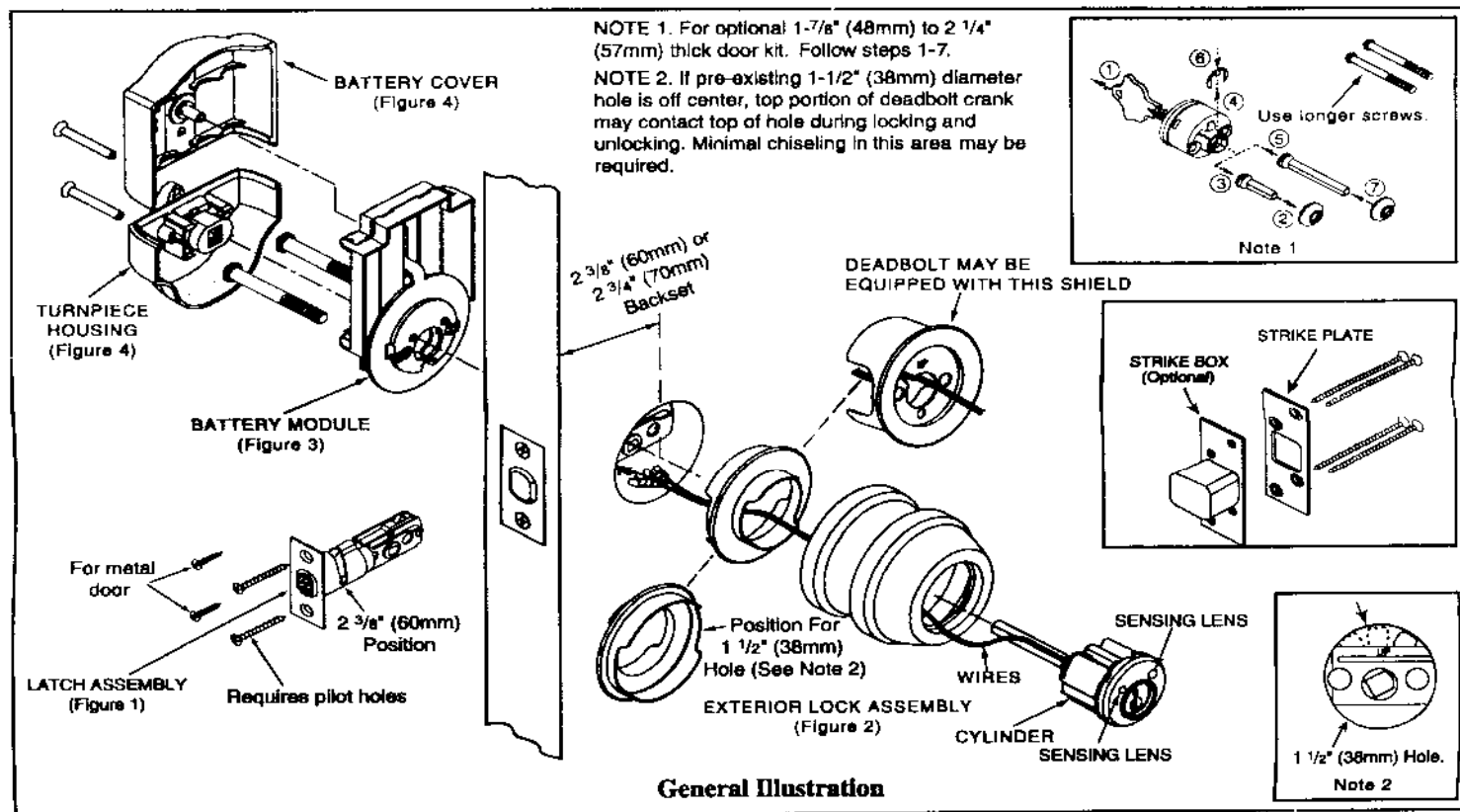
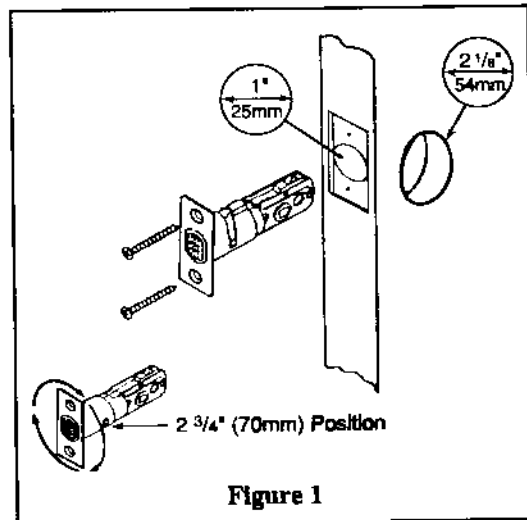
INSTALLATION INSTRUCTIONS

The only tools required to install the Titan NightSight™ deadbolt (after door preparation) are flatblade and cross-recess screwdrivers.



For instructions on how to prepare the door and adjacent door jamb for new installations, use the enclosed template and follow instructions on back of template. After the door and jamb have been prepared, or when replacing an existing deadbolt, refer to the General Illustration below and follow instructions.

1. Insert latch assembly through hole in edge of door, as shown in Figure 1. Be sure that the assembly is facing in the proper direction by observing the "UP" markings stamped on latch.
2. Secure the latch assembly in door edge hole with two #8x3/4 mounting screws provided.
3. Assemble the exterior (key operated) deadbolt components consisting of cylinder assembly (a), cylinder guard cover (b), cylinder guard (c) and adapter (d), as shown in Figure 2 on next page. The adapter (d) can be reversed to accommodate either a 1-1/2" or a 2-1/8" mounting hole. (Some units may be provided with a shield instead of the adapter.)
4. Make sure that the black and red wires protrude through the center of the adapter plate as shown in Figure 2. (If a shield has been provided, the wires should be routed through the slotted hole as shown.)



5. Hold assembled components of exterior lock together and insert cylinder torque blade through opening in center of latch assembly. Position cylinder with the 'TITAN' logo face up.

NOTE: Make sure that wires are routed through opening in door below the latch assembly as shown in Figure 2.

6. Secure the battery module, (refer to Figure 3) on interior side of door to the exterior cylinder on other side of door. Hold flat area facing up and fasten with two 1/4-28 black mounting screws. Prior to tightening the mounting screws, make sure that the flat top module surface is level and that the wires are routed through the small square opening at the bottom of the battery module.
7. Connect spade terminals to terminals on battery module. Connect black wire to terminal marked BLACK (-), connect red wire to terminal marked RED (+). See Figure 3.
8. Install (2) AA size batteries. Position batteries as indicated by markings on battery module. See Figure 3. Alkaline batteries are recommended for longer life. (Batteries are not included).
9. Check operation of the NightSight™ lighted keyway. (See OPERATING INSTRUCTIONS).
10. Attach turn piece housing to the battery module using two 8-32x1-1/4" long screws. The turn piece must be in a vertical position (latch bolt extended) to gain access to screw holes. See Figure 4. Make sure excess wires clear screw holes and shaft before tightening screws. Make sure wires are not pinched.
11. Check interior LockMinder™ LED operation. (See OPERATING INSTRUCTIONS).
12. Attach the battery cover to the battery module using the self-contained mounting screw. (See Figure 4). Do not overtighten
13. Install strike plate and strike box in door jamb using screws provided. See General Illustration.
14. Check operation of each feature. (See OPERATING INSTRUCTIONS).

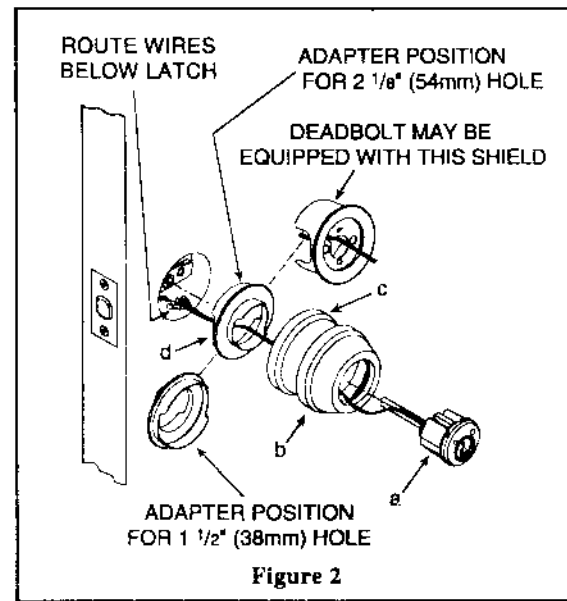


Figure 2

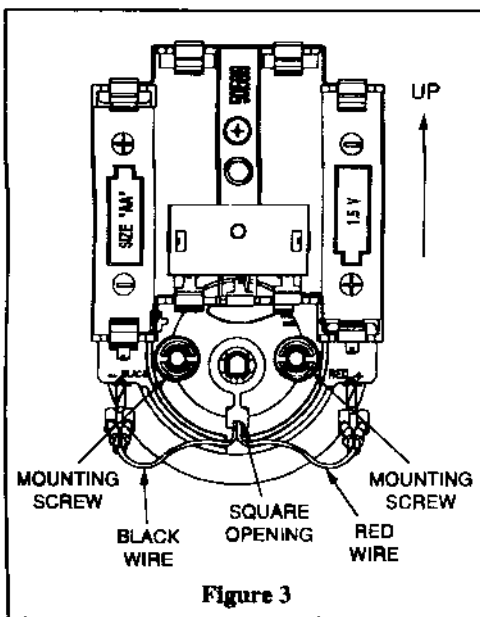


Figure 3

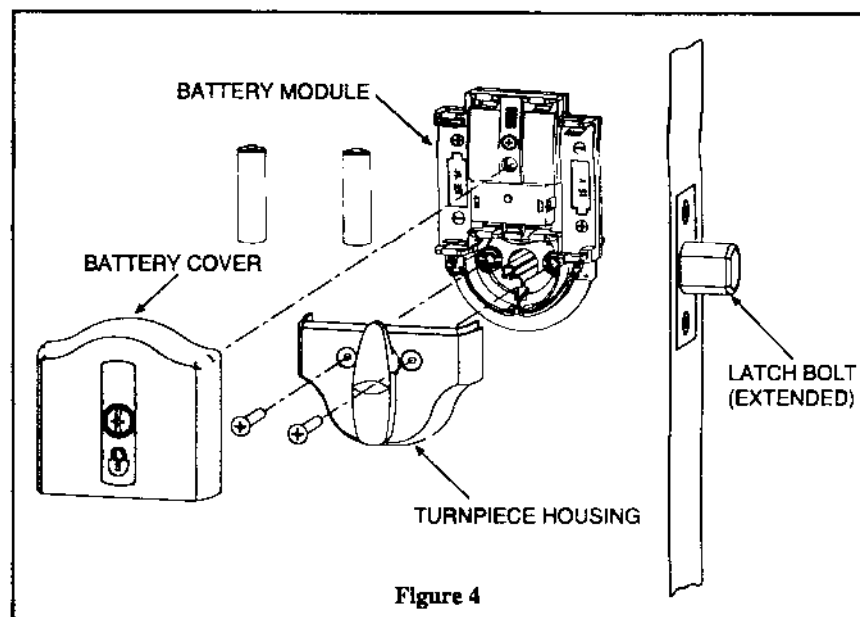


Figure 4

OPERATING INSTRUCTIONS

The NightSight™ deadbolt operates in the same mechanical manner as a standard TITAN deadbolt except that it employs an electronic infrared sensing system. The deadbolt does not require switch activation.

1. During daylight check the operation of the exterior portion of the deadbolt (key side) by cupping hands over deadbolt to prevent light from reaching the sensing lenses. Observe that the ring around the cylinder keyway illuminates immediately.
2. The infrared sensor (lighted keyway) only operates in dark environments. The system operates from 3 to 5 feet away by moving directly in front of the deadbolt. See Figure 5. Observe the ring around the keyway illuminate as it is approached.
3. To check the interior LockMinder™ LED, lock the deadbolt from the inside. The interior LED seen through the battery cover should illuminate immediately. See Figure 6.

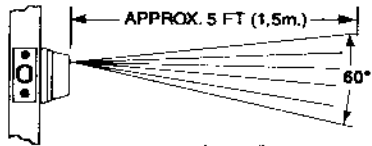


Figure 5

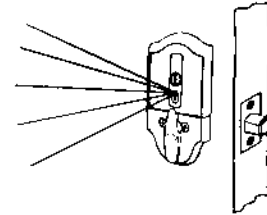


Figure 6

USE AND CARE

1. Cleaning - Water, dirt, grease or other contaminants may affect the operation of the deadbolt. With a clean damp cloth, periodically wipe the exterior sensors to remove contaminants.
2. Battery Housing - Check for corrosion of battery terminals inside battery housing. To ensure proper contact, keep terminals free of corrosion. **Immediately replace leaking or corroded batteries.**

TROUBLESHOOTING

Symptom	What to Look For
OUTSIDE Ring around cylinder keyway does not illuminate	Check for correct battery position. Check for weak batteries. Open battery cover and replace both batteries. Check for correct wiring connections. Check for corroded battery terminals. Clean terminals. Check for an outside light source shining on lock such as a porch light or bright street light. Check if a fixed object is within the detection zone and is blocking sensors such as tree branches or leaves. Remove objects. Cold temperature may affect operation of unit. See specifications for operating range. Sensors may have accumulated dirt. Clean sensors with a damp soft cloth. Sensors may be defective. See warranty information.
INSIDE LockMinder™ LED does not illuminate	Check for correct battery position. Check for correct wiring connections. Check for weak batteries. Open battery cover and replace both batteries. Check for corroded battery terminals. Clean terminals. LED may be defective. See warranty information.

**FULL LIFETIME MECHANICAL WARRANTY
FULL LIFETIME FINISH WARRANTY
ONE YEAR ON ELECTRICAL COMPONENTS**

This product comes with a lifetime mechanical warranty and a lifetime finish warranty to the original residential user of *TITAN TECHNOLOGIES* products against defects in material and workmanship as long as the original user occupies the residential premises upon which the Product was originally installed. *All electrical components are covered by a One Year Limited Warranty.* This warranty DOES NOT COVER abused or misused products or products used in commercial applications. Upon return of a defective product to Kwikset Corporation, Kwikset shall either repair or replace the Product or if repair or replacement are not practical, refund the purchase price. If a finish or mechanical defect occurs during the warranty period, call 1-800-327-LOCK (5625) in the U.S. and Canada or return it to Kwikset Corporation, Consumer Services, 516 East Santa Ana Street, Anaheim, California 92803-4250. A finish deterioration occurring from the use of paints, solvents or other chemicals is not a defect in the finish and is not covered by this warranty. **Kwikset is not liable for incidental or consequential damages.** Some states do not allow the exclusion or limitation of incidental or consequential damages, so the above exclusion may not apply to you. This warranty gives you specific legal rights and you may also have other rights that vary from state to state.

Toll Free Installation Information
1-800-327-LOCK U.S.A.
1-800-722-5153 CANADA

Attention - Helpful Hints On Installation

#1 Installing Connectors

(Additional Notes For Step #7 of the installation instructions:)

When connecting wires to module, the use of long nose pliers will ease installation. Reference figure 1.

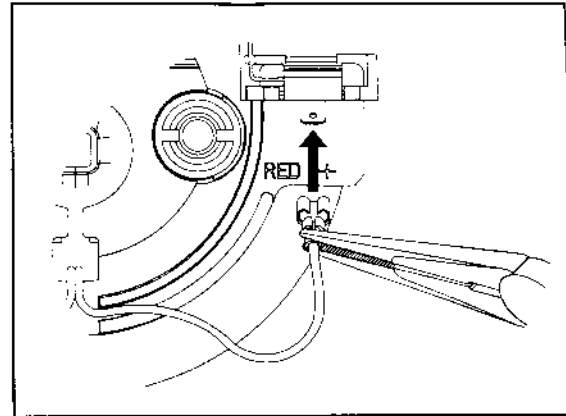


figure 1

#2 LockMinder™ Illuminated Constantly

When the installation is COMPLETE, and if LockMinder™ (interior lighted LED) continues to **REMAIN ILLUMINATED** in the **UNLOCKED** position, the bottom interior housing will need adjusting. Reference figure 2.

- Set the deadbolt in the LOCK position (bolt extended)
- Loosen the two screws on the bottom interior housing slightly.
- Set the deadbolt in the UNLOCK position (bolt retracted)
- Adjust bottom housing upward until LED shuts off.
- Set deadbolt in LOCK position & FASTEN bottom housing screws
- Check for proper operation
(Lock - LED Illuminated, Unlocked - LED Not Illuminated)

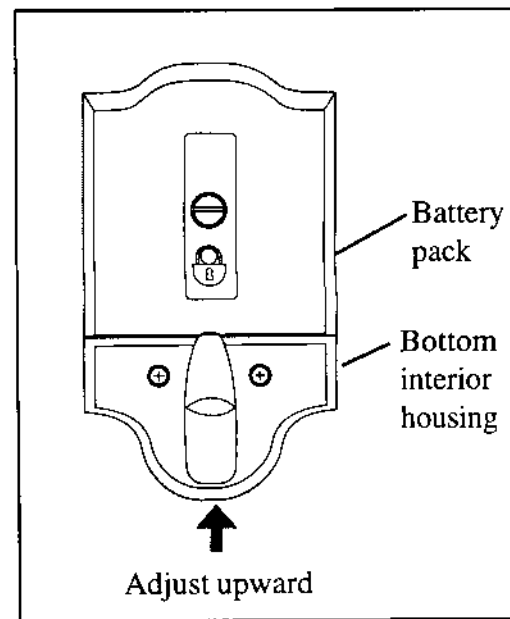


figure 2

#3 Check Proper Operation of NightSight™ (exterior lighted key guide)

To check for proper operation of the exterior lighted keyway feature in daylight conditions:

- Completely cover the exterior deadbolt with a black cloth material to create a dark environment for the sensors.
- Wait approximately 45 seconds (time varies depending on intensity of light conditions) for the photocell to adjust to the dark environment.
- Remove black cloth & check for illumination at the top of the cylinder ring. Reference figure 3.

For best results, test during night time conditions.

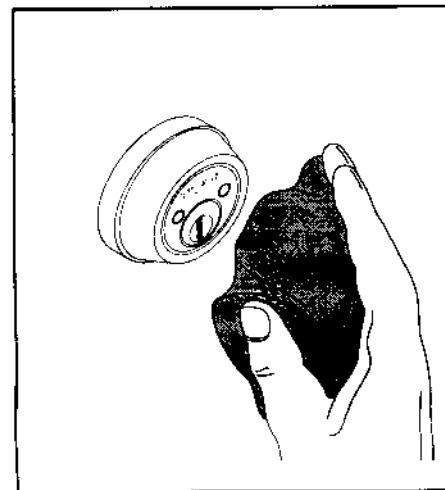


figure 3