



How-Do-We-Do-That?

Removing and Rekeying a Schlage B662



The inside cylinder is fastened with two thru-bolts; those two bolts are hidden with a faceplate, (cylinder scalp, Schlage B600-092 Inside snap-on faceplate).

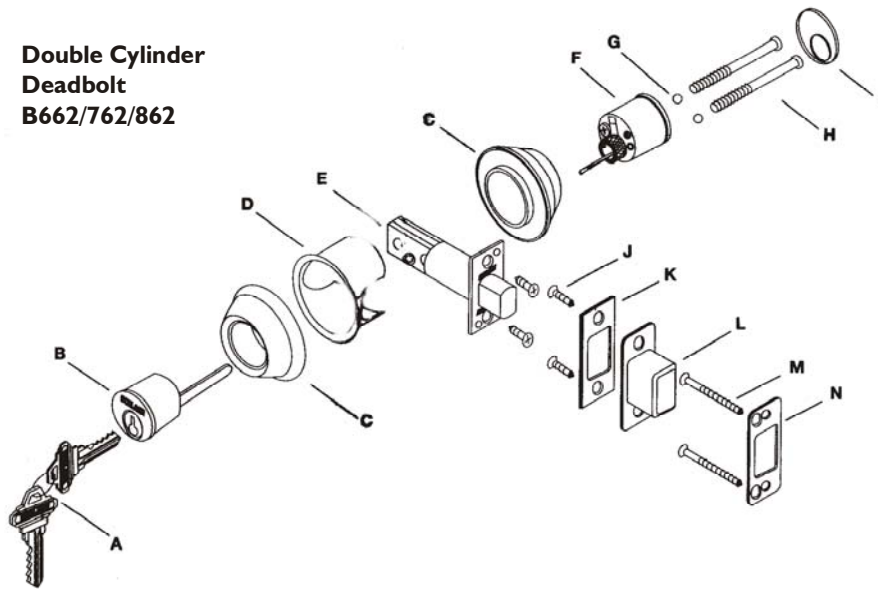
The snap-on faceplate is easily removed, when the lock needs to be rekeyed. Using a small pointed tool, while inserted in the bottom of the keyway, pull the faceplate forward.

Try not to damage this faceplate, they can be ordered from your supplier, however it is most likely not a stock item.

When arriving at your customer's job site, you are asked to rekey the Schlage double cylinder B662 deadbolt. See picture above.



**Double Cylinder
Deadbolt
B662/762/862**



Parts contained in package

- A. 2-Keys
- B. 1-Outside cylinder
- C. 2-Trim rings
- D. 1-Metal shield
- E. 1-Backset (not adjustable)
- F. 1-Inside Cylinder
- G. 2-Hardened steel balls
- H. 2-Mounting screws
- I. 1-Cylinder scalp
- J. 4-Screws for bolt & strike
- K. 1-Strike
- L. 1-Strike box
- M. 2-3" (76 mm) mounting screws
- N. 1-Wood frame reinforcer

