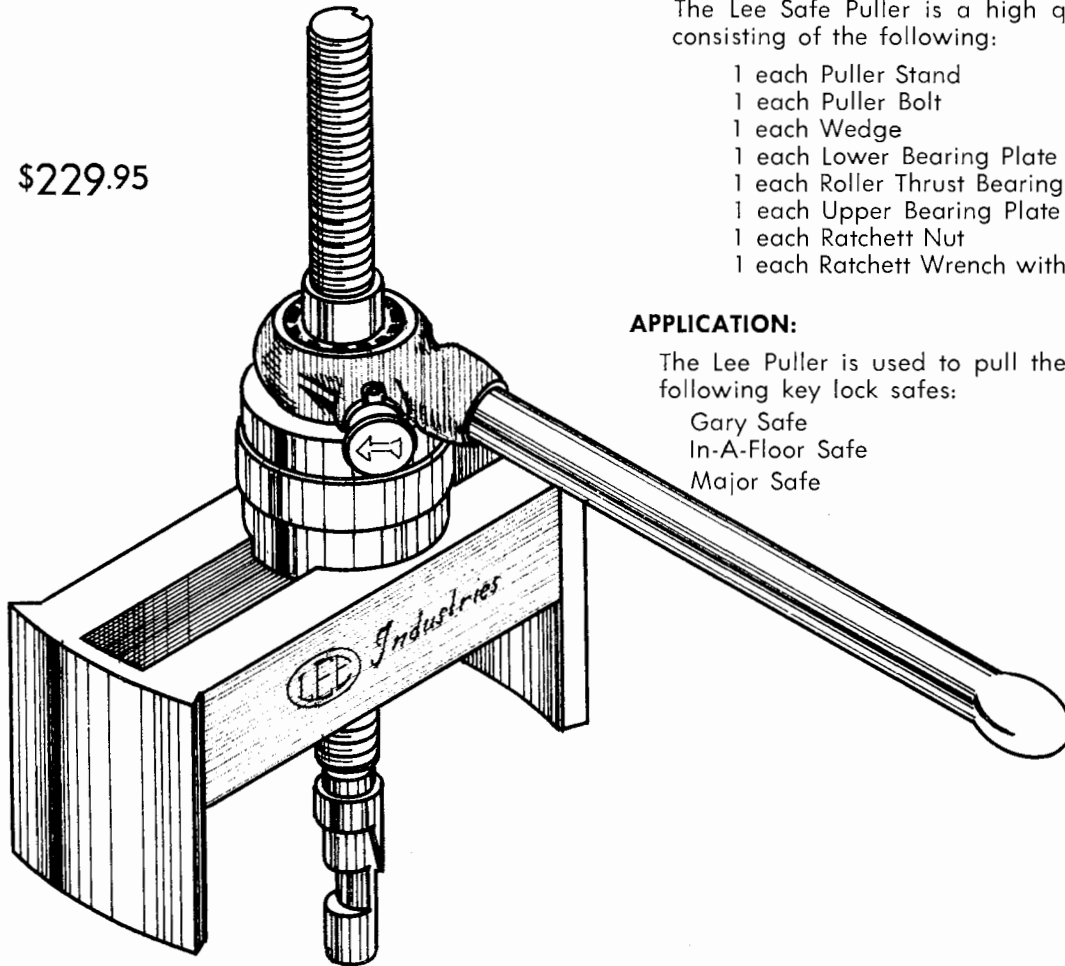


LEE SAFE PULLER

No. P-202

\$229.95



DESCRIPTION:

The Lee Safe Puller is a high quality tool consisting of the following:

- 1 each Puller Stand
- 1 each Puller Bolt
- 1 each Wedge
- 1 each Lower Bearing Plate
- 1 each Roller Thrust Bearing
- 1 each Upper Bearing Plate
- 1 each Ratchett Nut
- 1 each Ratchett Wrench with 24" Handle

APPLICATION:

The Lee Puller is used to pull the lids of the following key lock safes:

- Gary Safe
- In-A-Floor Safe
- Major Safe

OPERATION:

When the lock has been punched and the relock bolts have been released, this puller will quickly and effectively shear or break the two $\frac{1}{2}$ inch diameter relock bolts, with little or no damage to the safe lid. Should the bottom edge of the bolt holes break out, repairs to the lid would be made at a place not seen from the front of the safe lid.

The Lee Safe Puller will pull both top and bottom lids.

This new tool is equipped with a large roller thrust bearing to take the work out of turning the ratchett wrench. Once the puller is hooked into the lid, you will have the safe opened in about three minutes. The ratchett wrench makes this tool ideal to work with in close quarters.

SPECIFICATIONS:

The Lee Safe Puller is constructed of the highest quality materials. The Puller Bolt is machined of alloy steel and heat treated to a tensile yield strength of nearly 100 tons PSI, far stronger than is necessary. The puller stand and bearing plates are chrome plated. Shipping Weight: 25 lbs.

This new LEE SAFE PULLER will pay for itself in one or two jobs in the time and energy saved. When you use this handsome and effective tool, you will show the public a lot of efficiency and professionalism.

2-75



Locksmith Tools & Specialties

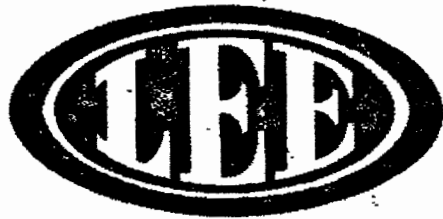
2136 N. ORANGE ST., STOCKTON CA. 95204

PHONE (209) 462-6991

DESIGNERS AND MANUFACTURERS OF THE FINEST LOCKSMITHING TOOLS

LEE SAFE PULLER

OPERATING
Instructions



Industries

2136 N. ORANGE STREET
STOCKTON, CA. 95204
PHONE (209) 462-6991

LOCKSMITH
TOOLS
AND
SPECIALTIES

LEE SAFE PULLER, for In-A-Floor Safe

The Lee Safe Puller is a high quality tool for use to pull the lid of the Model A In-A-Floor Safe when the lock has been punched and the relock bolts have been released. This puller will quickly and effectively shear or break the two 1/2 inch diameter relock bolts, with little or no damage to the lid. Should the bottom edge of the bolt holes break out, repairs to the lid would be made at a place not seen from the front of the safe lid.

INSTRUCTIONS FOR USE:

UPPER LID:

1. Lubricate the puller bolt and nut with a high quality white grease or white lead lubricant. Straight S.T.P. may be used.
2. Place the puller stand on the safe with the legs down; center carefully so the lock hole of the safe lid is directly below the slot of the puller stand, with equal clearance between the legs and the safe lid on both ends.
3. Slide the wedge on to the bit of the puller bolt with the tapered end down.
4. Insert the bit into the hole of the lid through the slot of the puller stand.
5. Hook the bit to the OUTER edge of the lock hole and drop the wedge into the remaining opening. The spline cut on the puller bolt should be facing the center of the safe lid. This is very important, as damage to the bit of the puller bolt would result if it is hooked to the inside edge of the hole. See page 4 (Plate 2).
6. Slide lower plate on to the puller bolt, so that the bottom protrusion of the lower plate drop into the slot of the puller stand.
7. Place roller bearing on lower plate.
8. Slide upper plate on to the puller bolt.
9. Turn ratchett nut on to the puller bolt and tighten. Continued tightening of the nut with the ratchett wrench will shear the relock bolts.

LOWER LID:

The procedure to pull the lower lid is the same as the foregoing, however, when the lower lid is too deep for the bolt to reach, the puller stand is placed on the safe with the legs pointed up.

THE PULLER BOLT:

The Puller Bolt has been heat treated to a hardness specification which gives the steel its maximum tensile strength. However, the hardness of the bolt is lower than that of most safe lids to prevent marring of the lid. The first few times the puller is used, may result in a certain amount of upsetting of the steel at the pressure points of the puller bolt where it hooks into the safe lid. The upset metal may prevent the puller bolt from easy extraction from the safe lid. THIS IS NORMAL.

To correct this, dress off the protruding metal with a file. After the first two or three pulls, you should cease to have this problem.

REPLACEMENT PARTS:

Refer to plate 1 for the correct part. For the price of parts, write to:

LEE INDUSTRIES
2136 North Orange Street
Stockton, California 95204

IMPORTANT NOTICE TO PURCHASER:

The only obligation of the manufacture and the seller of the LEE SAFE PULLER shall be to repair or replace any mechanical part proved to be defective, provided the defect occurs within 120 days after date of purchase, and the so-purchased item is returned immediately to Lee Industries.

Neither manufacturer nor seller shall be liable for any loss or damage, direct or consequential, arising out of the use or inability to use the LEE SAFE PULLER.

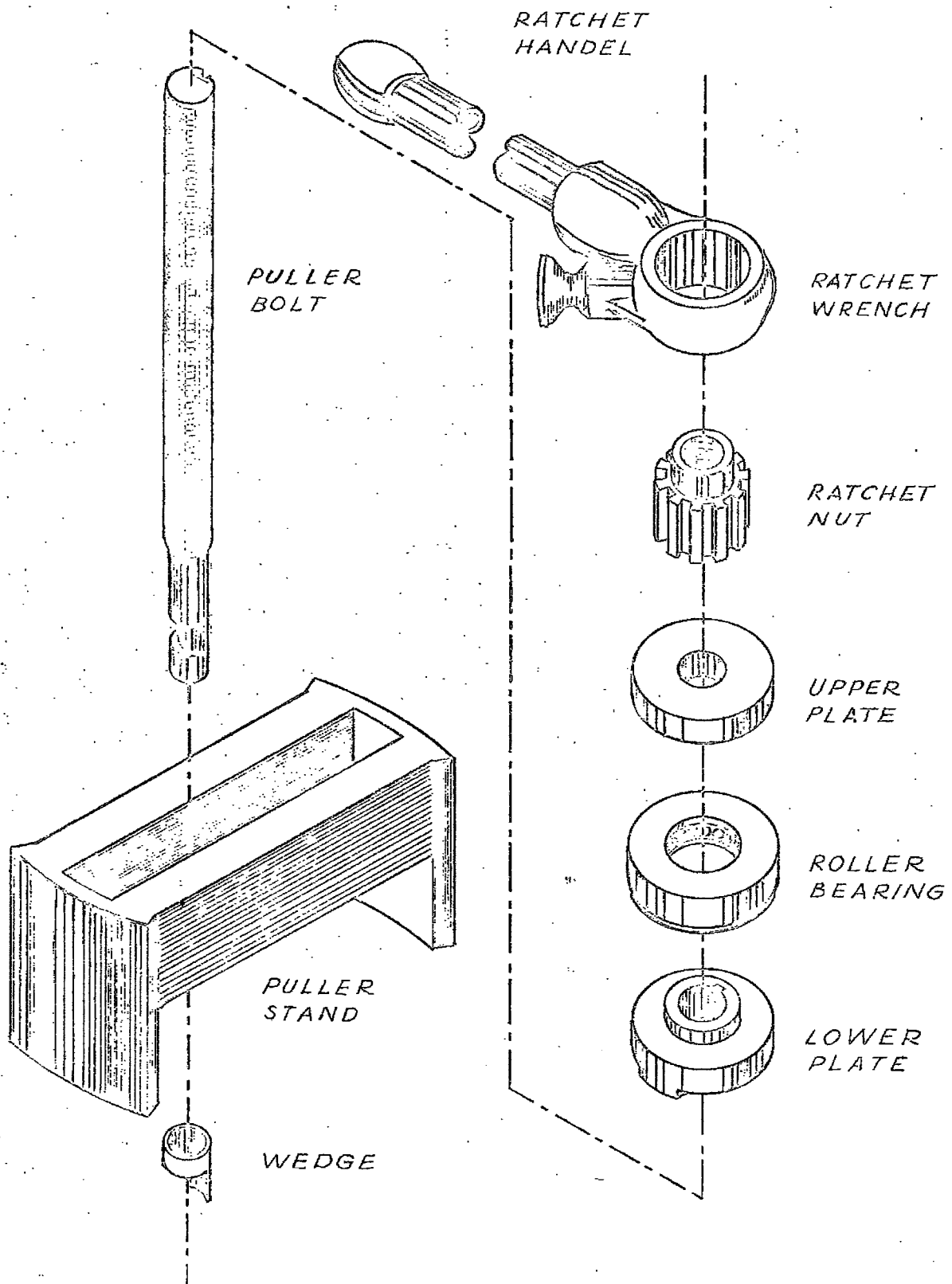


PLATE 1

(3)

NOTICE: Be sure the bolt is hooked into the safe lid correctly. Please see paragraph 4, page 1.

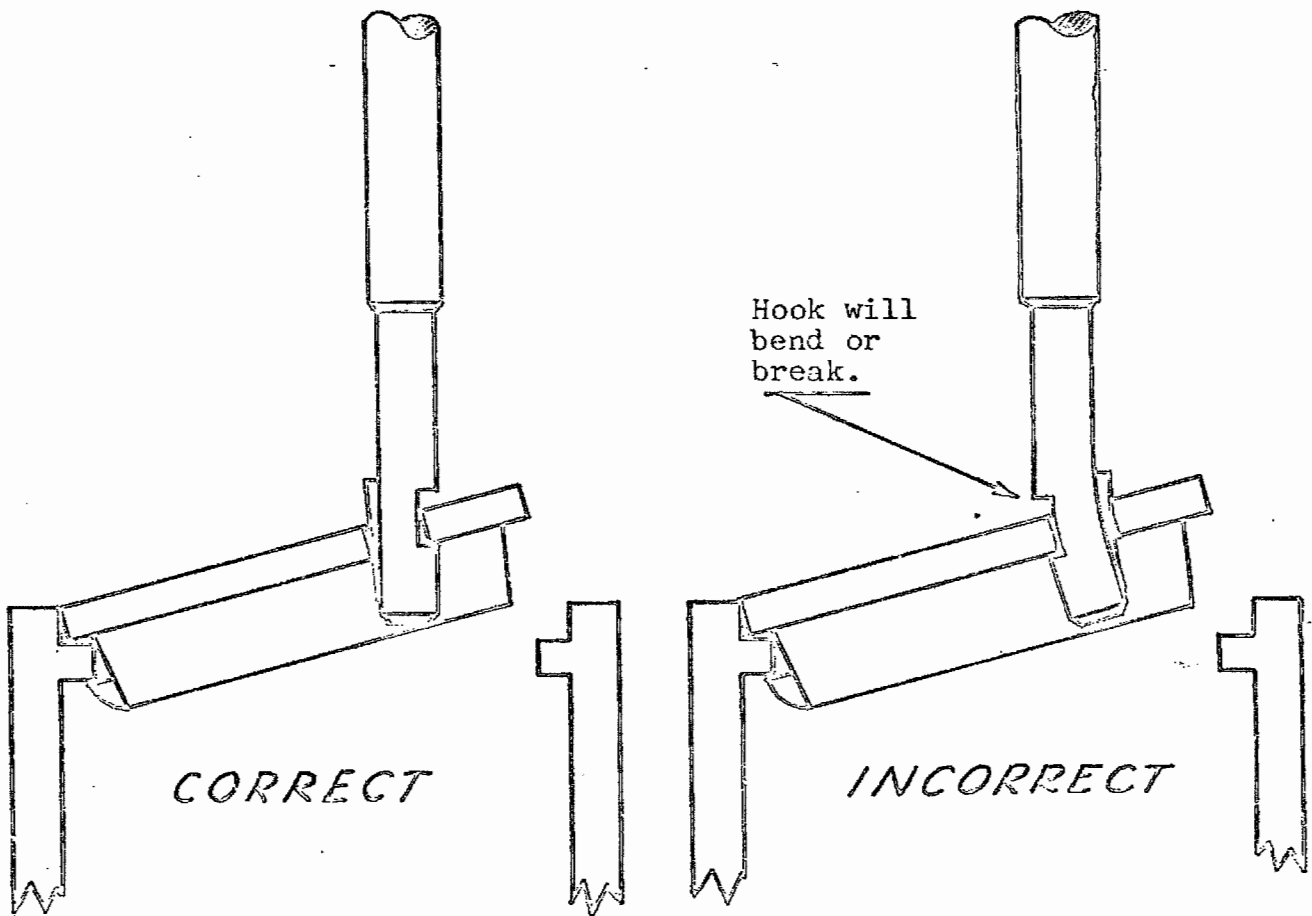


PLATE 2

(4)