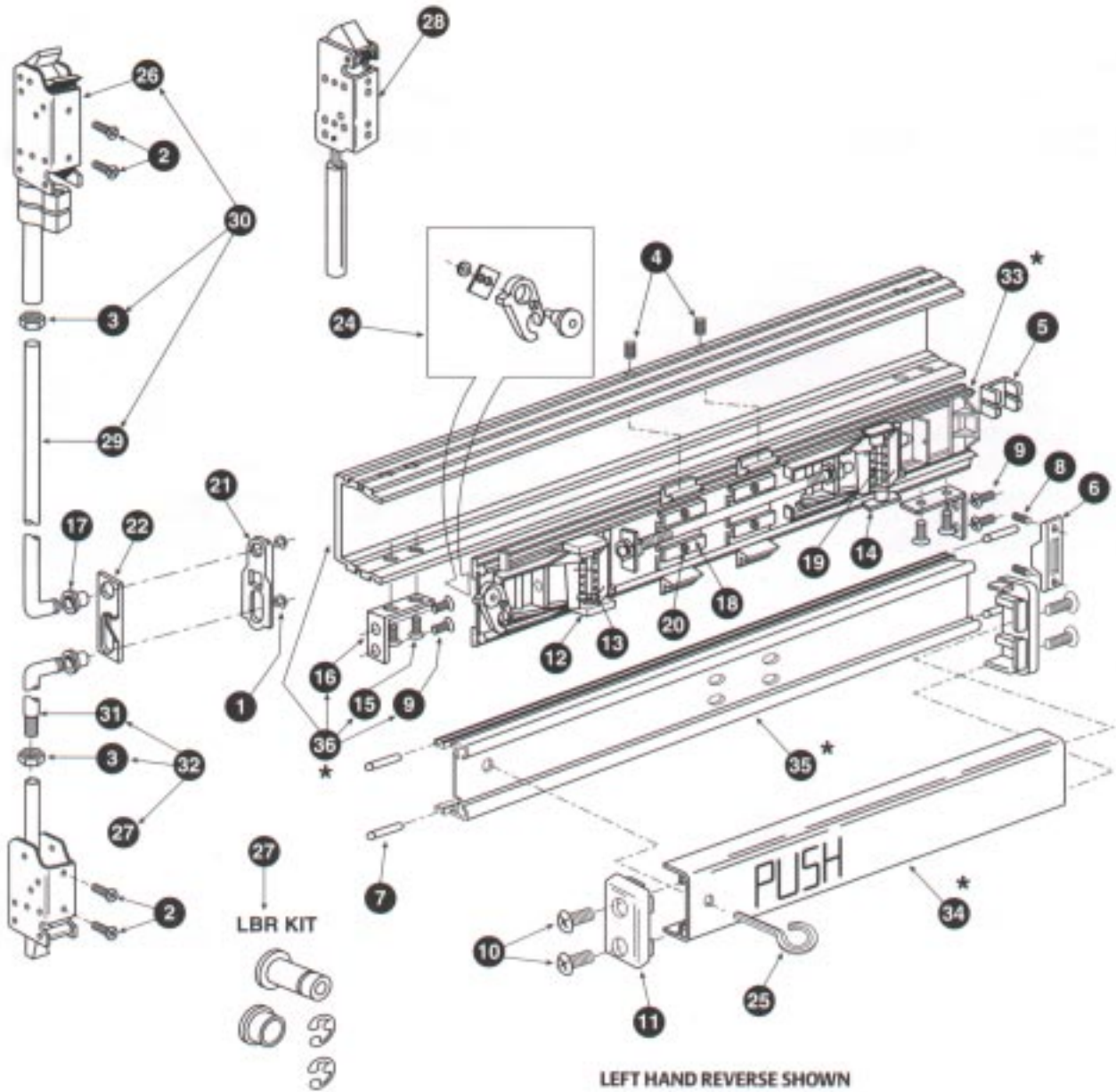


DOR-O-MATIC 1390 EXIT DEVICE

ROBERT BROOKE AND ASSOCIATES



*See page 28 for parts list.

585 SOUTH ETON ROAD, P.O. BOX 2010, BIRMINGHAM, MI 48012-2010
CALL: 1-800-642-2403 FAX: 1-800-642-2406 ASK FOR: GREG

DOR-O-MATIC 1390 EXIT DEVICE

ROBERT BROOKE AND ASSOCIATES

Model No.	Description	Part No.	Finish	Pkg Qty
1	PB4 Retaining Ring .250	RRING.101	-	25
2	PB17 10-32 1/4" UFPHMS	SCREW.1028	US32D	10
	PB17 10-32 1/4" UFPHMS	SCREW.1029	Black	10
3	PB23 Jam Nut	NUT.101	-	10
4	PB26 10-32 1/4" Soc. Set Cone Screw	SCREW.1017	-	10
5	PB27 Anti-Torque Bracket Clip	4270103371	-	each
6	PB28 Anti-Torque Bracket	4270103370	-	each
7	PB29 Push Plate Guide	GUIDE.108	-	10
8	PB31 10-32 x 1/2" Soc. Set Screw	SCREW.1011	Black	10
9	PB32 8-32 1/4" FPHTC UC2 Screw	SCREW.1009	-	10
10	PB34 10-24 1/4" FL Hex Soc Screw	SCREW.1018	Black	10
11	PB40 Push Bar End Cap	427010602	-	each
12	PB41 Nylon Washer 1/4"	WASHER.113	-	10
13	PB43 Spring	4270106635	-	each
14	PB44 Axle Slide Bar	BAR.500	-	10
15	PB45 8-32 1/4" FPHSMS Screw	SCREW.1033	-	10
16	PB46 Angle Bracket	4204100819	-	each
17	PB47 Rod Bushing	BLUSH.104	-	10
18	PB74 1390 Mounting Bracket	4270105968	-	each
19	PB75 Axle Pin (Baseplate)	PIN.126	US32D	10
20	PB76 10-32 1/4" PHTHMS UF2 Screw	SCREW.1014	-	10
21	PB85 Recessed Lift Bracket	4270106370	-	each
22	PB86 Lift Bracket LHR	4270105945	-	each
	Lift Bracket RHR	4270105946	-	each
23	PB87 LBR Kit	KIT.1007	-	each
24	PB96 Dogging Kit	4270106669	-	each
	PB97 Slotted Dogging Kit (not shown)	4270107343	-	each
25	PB98 Hex Dogging Key 1/4"	4270103867	-	each
26	PB128 Top Latch Assy	4270105926	-	each
27	PB129 RL Bottom Latch	4270100521	-	each
28	PB131 ES Top Latch	4270101346	-	each
29 ▲●	Top Rod 7' DR	-	-	each
30 ▲●	Top Rod Assy 7' DR	-	-	each
31 ◆	Bottom Rod	-	-	each
32 ◆ RAB	Bottom Rod Assy	-	-	each

***SPECIFY FINISH (ALUM-SILVER OR DARK BRONZE-BROWN)**

585 SOUTH ETON ROAD, P.O. BOX 2010, BIRMINGHAM, MI 48012-2010 CALL: 1-800-642-2403 FAX: 1-800-642-2406 ASK FOR: GREG

DOR-O-MATIC 1390 EXIT DEVICE

ROBERT BROOKE AND ASSOCIATES

	Model No.	Description	Part No.	Finish	Pkg Qty
33	▲ ABX-1	Activating B/Plate Assy LHR (21 1/2" up to 26")	4270105974	-	each
	▲ ABX-2	Activating B/Plate Assy LHR (26 1/2" up to 32")	4270105976	-	each
	▲ ABX-3	Activating B/Plate Assy LHR (32 1/2" up to 38")	4270106346	-	each
	▲ ABX-4	Activating B/Plate Assy LHR (38 1/2" and up)	4270106348	-	each
	▲ ABX-5	Activating B/Plate Assy RHR (21 1/2" up to 26")	4270105973	-	each
	▲ ABX-6	Activating B/Plate Assy RHR (26 1/2" up to 32")	4270105975	-	each
	▲ ABX-7	Activating B/Plate Assy RHR (32 1/2" up to 38")	4270106345	-	each
	▲ ABX-8	Activating B/Plate Assy LHR (38 1/2" and up)	4270106347	-	each
34	■ PBX-3	Push Bar RHR 36"	EXT652	US28	each
	■	Push Bar RHR 36"	EXTI 35	DC13	each
	■	Push Bar RHR 36"	EXTI 45	DC35	each
	■ PBX-13	Push Bar LHR 36"	EXTI 25	US28	each
	■	Push Bar LHR 36"	EXTI 36	DC13	each
	■	Push Bar LHR 36"	EXTI 47	DC35	each
	■ PBX-4	Push Bar RHR 48"	EXTI 53	US28	each
	■	Push Bar RHR 48"	EXTI 57	DC13	each
	■	Push Bar RHR 48"	EXTI 61	DC35	each
	■ PBX-14	Push Bar LHR 48"	EXTI 55	US28	each
	■	Push Bar LHR 48"	EXTI 59	DC13	each
	■	Push Bar LHR 48"	EXTI 63	DC35	each
35	▲ PBX-5	Push Plate w/Guide (21 1/2" up to 26")	EXT900	US28	each
	▲	Push Plate w/Guide (21 1/2" up to 26")	EXT901	DC13	each
	▲	Push Plate w/Guide (21 1/2" up to 26")	EXT902	DC35	each
	▲ PBX-6	Push Plate w/Guide (26 1/2" up to 32")	EXT903	US28	each
	▲	Push Plate w/Guide (26 1/2" up to 32")	EXT904	DC13	each
	▲	Push Plate w/Guide (26 1/2" up to 32")	EXT905	DC35	each
	▲ PBX-7	Push Plate w/Guide (32 1/2" up to 32")	EXT906	US28	each
	▲	Push Plate w/Guide (32 1/2" up to 32")	EXT907	DC13	each
	▲	Push Plate w/Guide (32 1/2" up to 32")	EXT908	DC35	each
	▲ PBX-8	Push Plate w/Guide (38 1/2" and up)	EXT909	US28	each
	▲	Push Plate w/Guide (38 1/2" and up)	EXT910	DC13	each
	▲	Push Plate w/Guide (38 1/2" and up)	EXT911	DC35	each
36	■ PBX-9	Channel Assembly 36"	CHASYI 47	US28	each
	■	Channel Assembly 36"	CHASYI 60	DC13	each
	■	Channel Assembly 36"	CHASYI 07	DC35	each
	■ PBX-10	Channel Assembly 48"	CHASYI 08	US28	each
	■	Channel Assembly 48"	CHASYI 09	DC13	each
	■	Channel Assembly 48"	CHASYI 25	DC35	each

585 SOUTH ETON ROAD, P.O. BOX 2010, BIRMINGHAM, MI 48012-2010
CALL: 1-800-642-2403 FAX: 1-800-642-2406 ASK FOR: GREG