

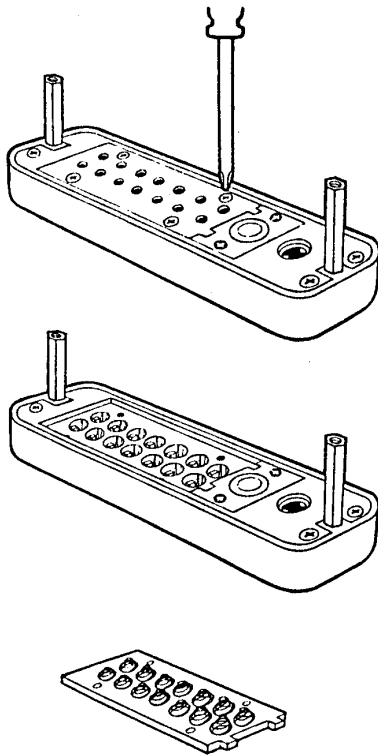


How-Do-We-Do-That?

How to Change the Code

Failure to follow the instructions could result in damage to your lock so please read carefully.

Hold the outside body in the horizontal position. Remove the 4 red screws. Carefully remove the plate, as there are many springs attached to it.



the code/non-code tumblers you wish to change.

When you re-insert the code/non-code tumblers for your new code you must continue to press the "C" button.

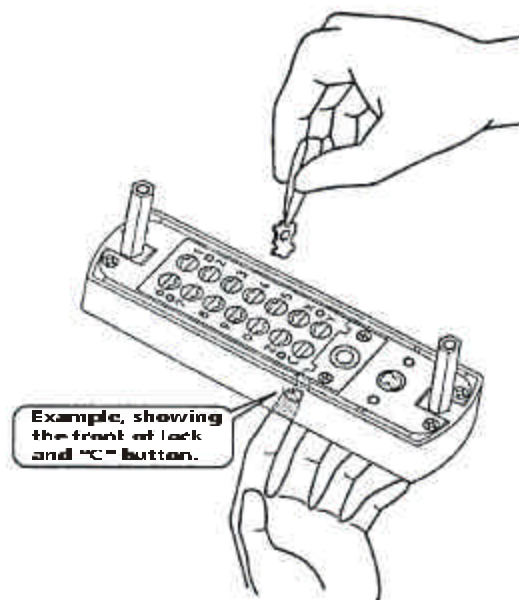


You must press in the "C" button from the underneath until you have completed the code change, as it is impossible to lift out or insert the code tumblers if you don't, forcing them will damage the lock.

There are blue tumblers (non-code) and red tumblers (code). Your code is made up from the red tumblers always prefixed by "C" to clear.

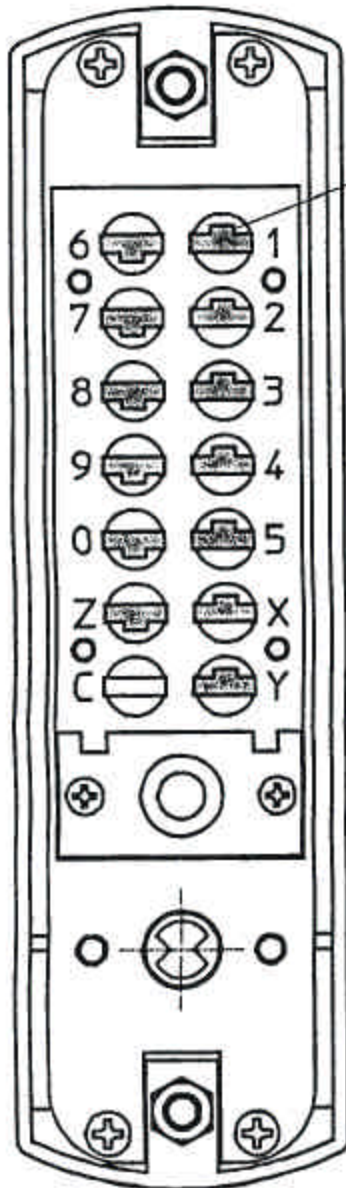
(Never remove the "C" tumbler)

While continuing to press "C" button and using the tweezers provided, lift out



While pressing in the "C" button make sure that the colored top end of the tumbler is facing upwards, Match the

of the tumbler to the exact cut insert of the body.

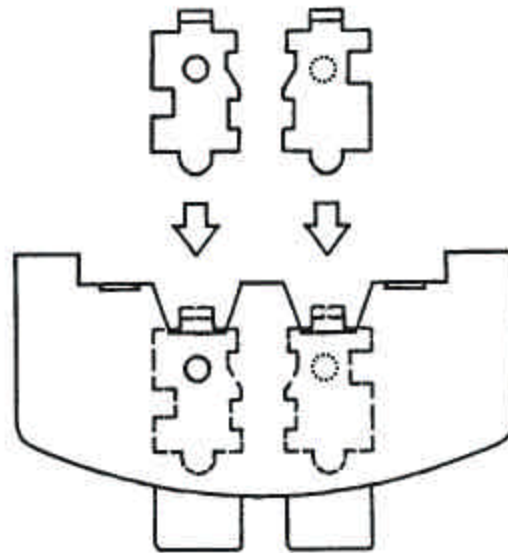
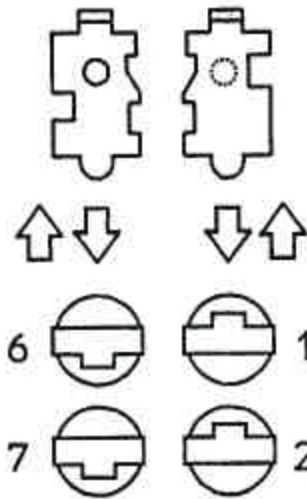


Cut

EXAMPLE:

The code is made up of the numbers which have the red tumblers inserted next to, this shows C2469X.

Remember the red tumblers are the code and the blue tumblers are non-code.



Using the tumblers provided you could change your code from a 3 digit number up to a 7 digit number, always prefixed by "C" to clear.

To increase, remove the blue and add the red.

To decrease remove the red and add the blue.

(If you insert a tumbler in the wrong position, press the "C" button and lift the tumbler out).

When you have completed changing your code release the "C" button and replace the plate carefully.

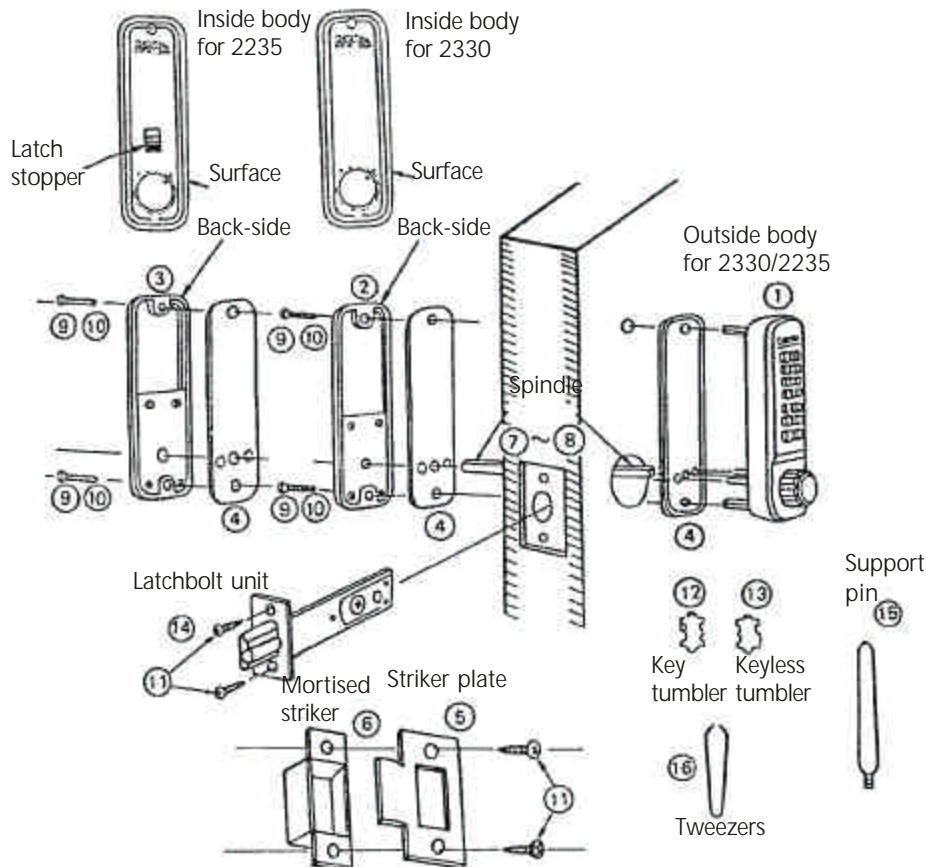
Always test your new code before installing/re-installing your lock to the door.

Installation Instructions of Digital Door Lock

NO. 2230 (Built-In type Latchbolt Lock without "Latch Stopper")
NO. 2235 (Built-In type Latchbolt with "Latch Stopper")

1. The Name and Details of the Enclosed Parts

NO.	Name of Parts	NO. 2230	NO. 2235
1.	Outside body	1 Pce	1 Pce
2.	Inside body	1 Pce	
3.	Inside body with "Latch Stopper"		1 Pce
4.	Rubber escutcheon	2 Pce	2 Pce
5.	Strike plate	1 Pce	1 Pce
6.	Mortise striker	1 Pce	1 Pce
7.	Spindle for 40-55 mm	1 Pce	1 Pce
8.	Spindle for 30-45 mm	1 Pce	1 Pce
9.	Machine screw M4 X 1 32/32" for above 7	2 Pce	2 Pce
10.	Machine screw M4 X 1 3/8" for above 8	2 Pce	2 Pce
11.	Wood Screw M4 X 5/8"	4 Pce	4 Pce
12.	Key tumbler red	1 Pce	1 Pce
13.	Keyless Tumbler Blue	1 Pce	1 Pce
14.	Latchbolt unit	1 Pce	1 Pce
15.	Support pin	1 Pce	1 Pce
16.	Tweezers	1 Pce	Pce



2. Confirm the Position of Hinge before Installation

Digital Door Lock is equipped "For Right Hand" with the hinge is installed on the right side of the door as viewed from the outside, regardless of the opening direction of the door.

1. In case of "For Right Hand"
 - a. After removing the rectangular lid, confirm whether the "Stainless Pin" is set to described left hole, as shown in Fig. 1.
 - b. Install the supplied Support Pin (Part No. 15 to "A" as in Fig. 1.
2. In case of "For Left Hand"
 - a. After removing the rectangular lid, change the "Stainless Pin" to the right hole using the supplied tweezers, as shown in Fig. 2.
 - b. Install the supplied Support Pin (Part No. 15) to "B" as in Fig. 2.

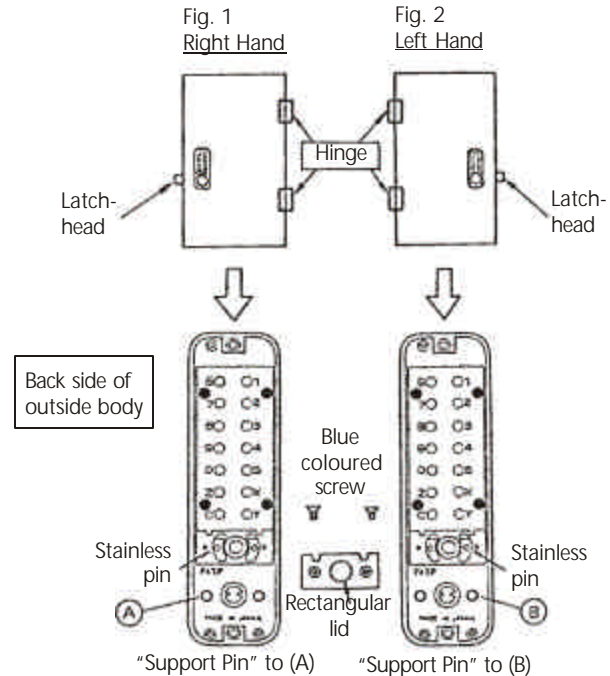


Fig. 3

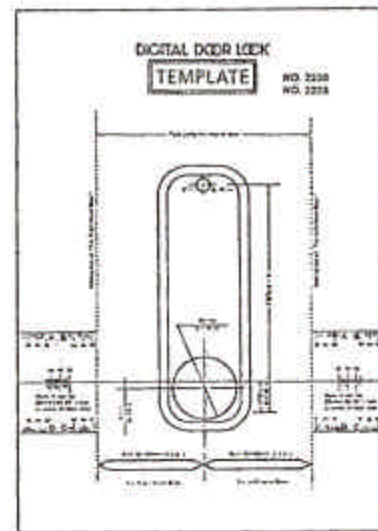
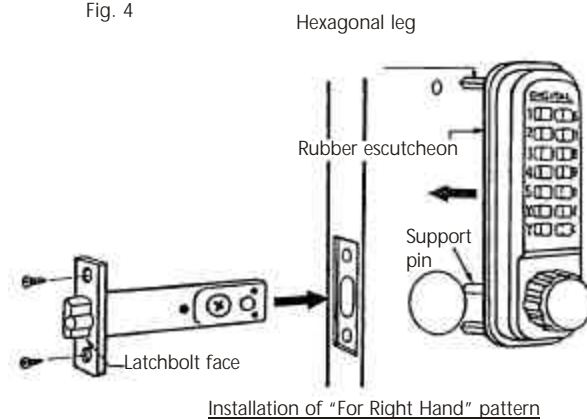


Fig. 4



3. How to install the Digital Lock

- a. Use the template at first and decide the position where Digital Door Lock is to be installed.
- f. Mark the hole center for a small hole (8 mm) and for a large hole (36 mm) on the surface of the door. And also mark the hole center of 1 slot for the Latchbolt Unit at the center of the door edge through the template (Refer Fig. 3).
- f. Make 2 holes of 8 mm dia. On the surface and one slot of 22 mm dia. at the door edge. Insert the Latchbolt Unit into the slot. Scribe a line around the Latchbolt Face and remove it. Chisel out the scribed space until the Latchbolt Face is flush with the surface of the door edge.
- f. Fasten the Latchbolt Unit with the wood screws of M4 X 5/8". (Part No. 11).
- f. After placing the Rubber Escutcheon to the back-side of outside body, insert the upper hexagonal leg to 8 mm dia. hole and the lower hexagonal leg and support pin to 36 mm dia. hole, (Refer Fig. 4)

- g. According to the door thickness, select the proper spindle upon referring the following:
 Door thickness form 40 mm to 55 mm ...86 mm length spindle (part No. 7)
 Door thickness from 30 mm to 45 mm ...76 mm length spindle (part No. 8)
(The indicated size on the Spindle is the application door thickness)
- h. Insert the Spindle into the hole on the back-side on the outside body through the hole of Latchbolt Unit from the indoor side. (Refer to Fig. 5)
- i. After placing the Rubber Escutcheon to the back-side of inside body, install it to the door. (The spindle should be inserted to the Spindle Hole of inside body.)

Pay Attention to the Position of the Spindle on Inserting to the Hole

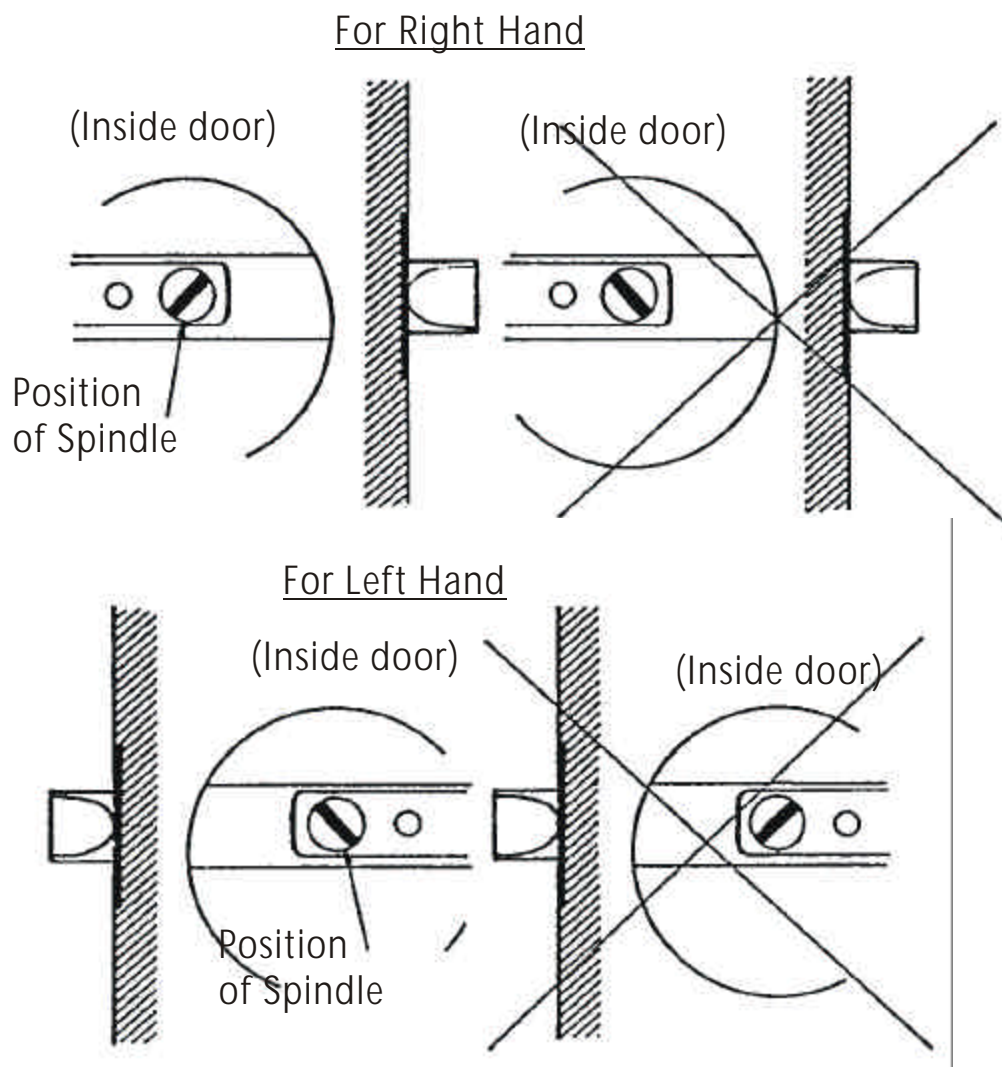
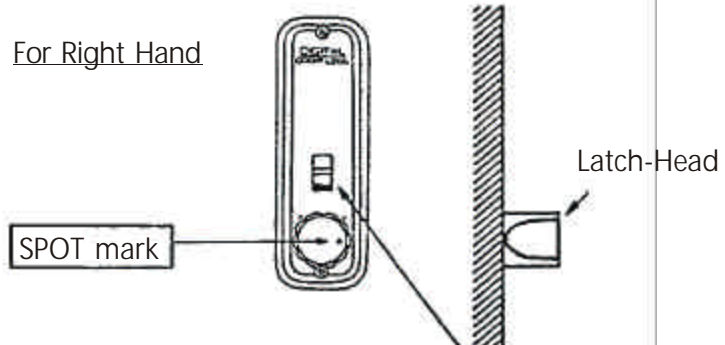


Fig. 5

The Spot Mark is marked on the Knob of Inside Body should be in the Direction of "Latch-Head"

The Position of "SPOT" Mark on Outside Knob

For Right Hand



(In case of No. 2235, Inside Body is "With Latch Stopper")

For Left Hand

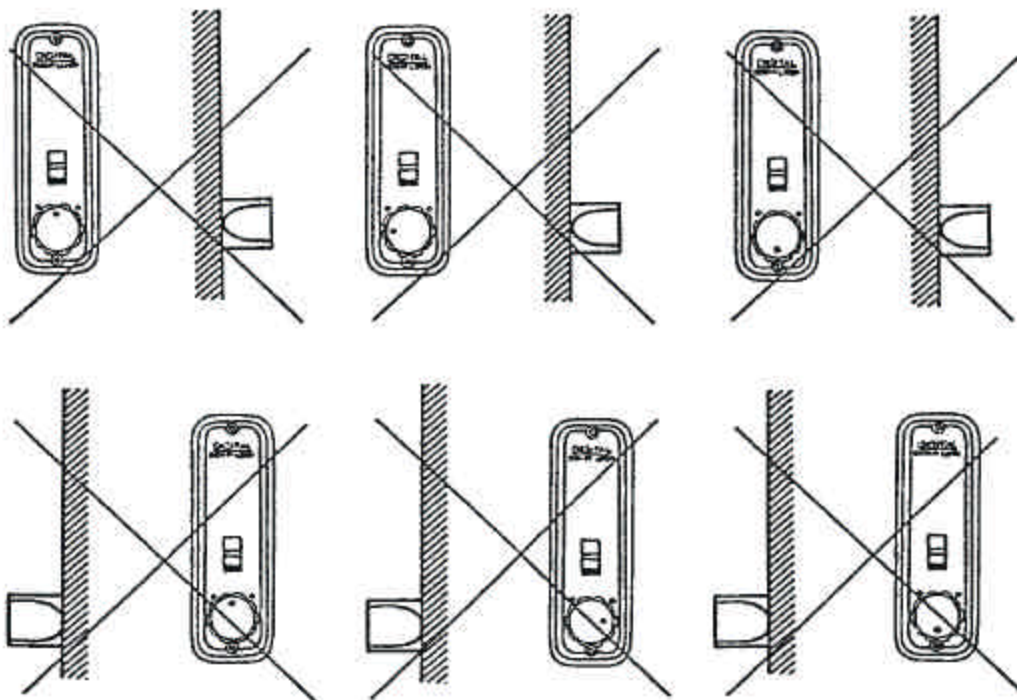
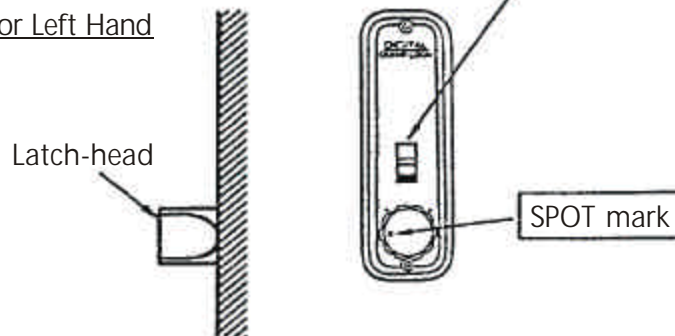


Fig. 6

- j. Fasten the inside body with the machine screws of the supplied proper length. (Part No. 9-10)
- k. Check the operation of latchbolt by turning inside knob.
- l. Close door and decide the position where the latchbolt touches to the

face of the door jamb. Make the hole for the Mortised Striker and Striker Plate and chisel out the space for Strike Plate until it is flush with the surface. And fasten the Strike Plate with the wood screws of M4 X 5/8". (Part No. 11)

4. How to Use the Digital Door Lock

- a. When the door is closed, Digital Door Lock is locked automatically.
 - b. From indoor-side, unlock by turning the inside knob.
 - c. From the outdoor-side, unlock by turning the outside knob after pushing the equipped SECRET NUMBER.
- * * * SPECIAL FUNCTION ON THE ITEM OF NO. 2235 * * * How to use the "LATCH STOPPER" * * *
- a. After turning the inside knob, push down the "LATCH STOPPER" which is in the inside body.

(The "SPOT" mark on inside knob ought to be located at the middle position between two spots on inside body.)

- b. In case of restoring to the normal function, push the "LATCH STOPPER" up.

(The SECRET NUMBER is printed in the Secret Number Card, which is provided with the lock.)

(In case of changing the SECRET NUMBER, refer to "How To Change the Secret Number" In the beginning of this article.)