

Mosler KC1-2



© Tom Gazda 6/3/2006



© Tom Gazda 6/3/2006



© Tom Gazda 6/3/2006



© Tom Gazda 6/3/2006



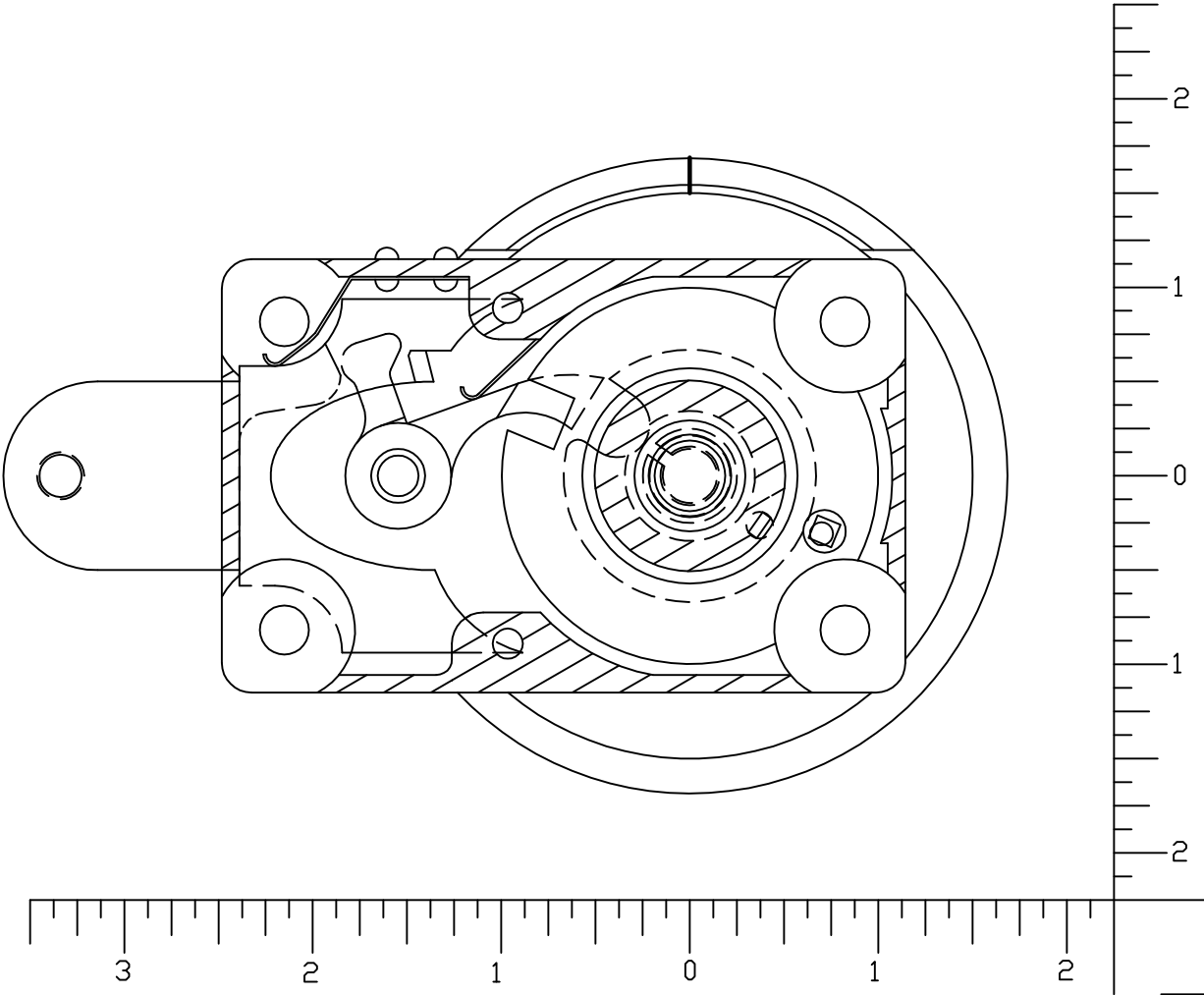
© Tom Gazda 6/3/2006



© Tom Gazda 6/3/2006

Thru Door Cut Away View with dial, dial ring, door and back of Case Removed. Lock body stamped 2-. Bolt tapping 1/4-20 Thd. Bolt, Driver and Fence hidden lines shown.

Courtesy of: Shawn Kracht
Date: 05-2006 Rev 1.2



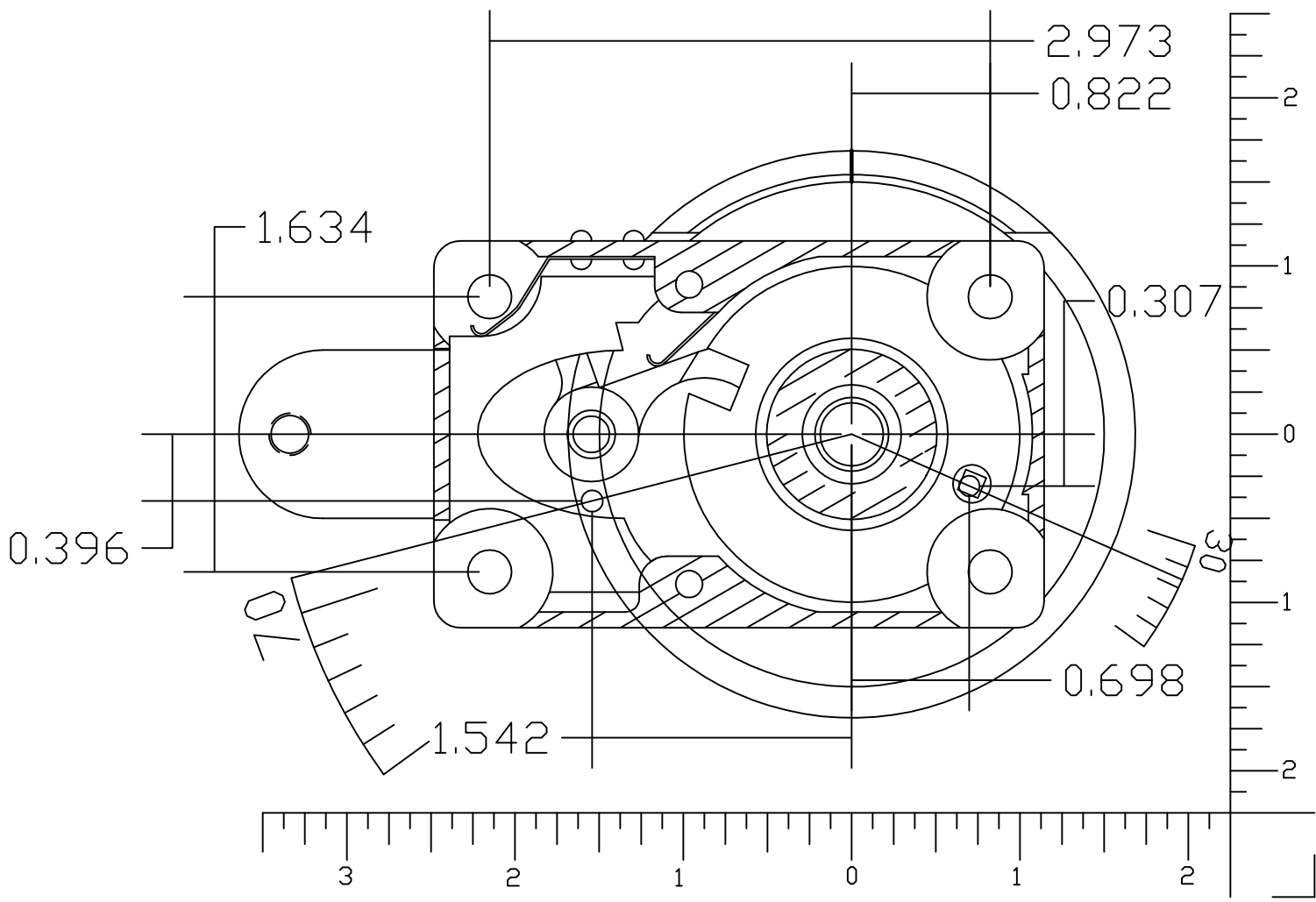
Mosler
Model KC1-2

Drill Points.

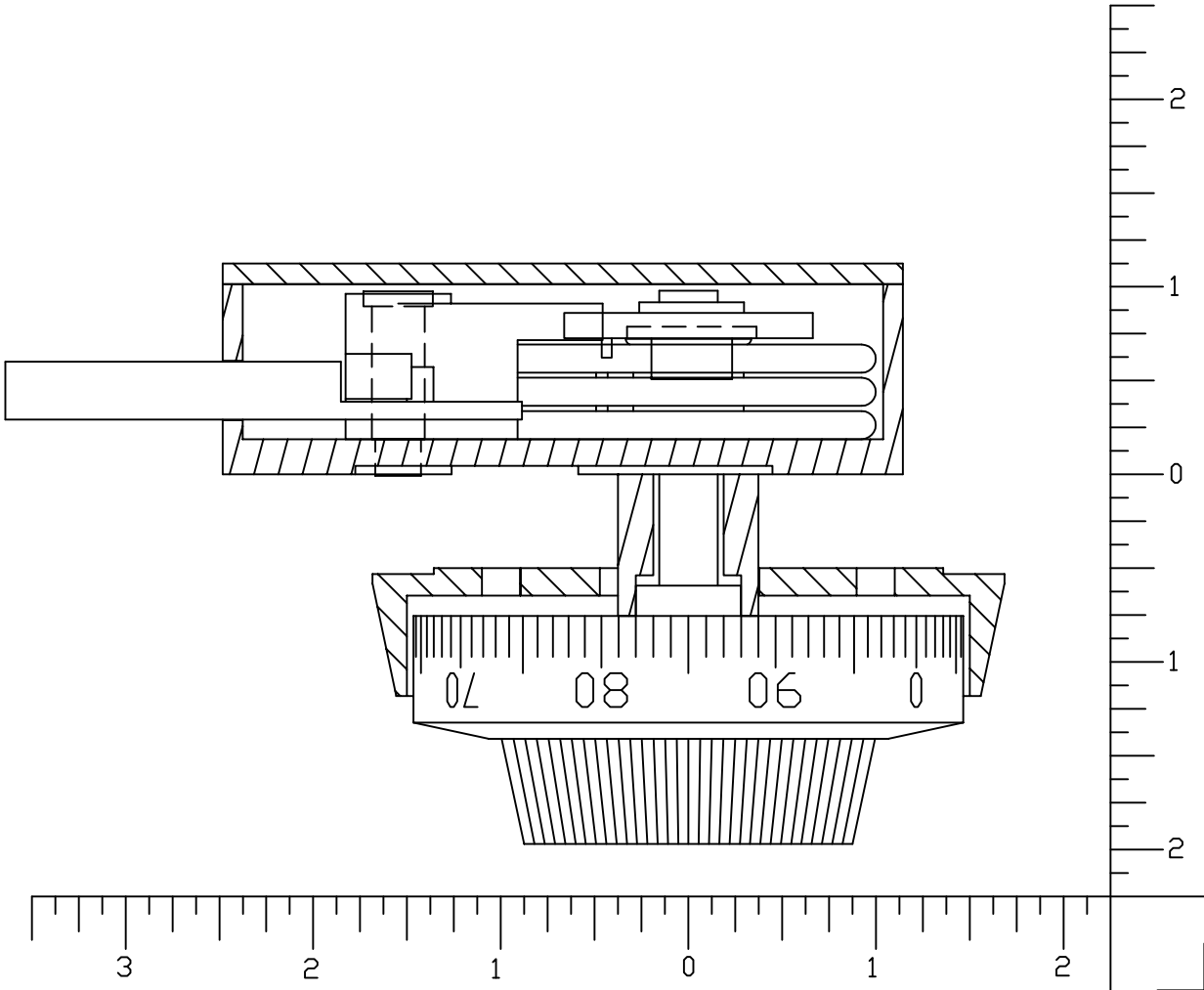
Micro drill thru dial ring at 71 for scope and trafer to drop in at 81.

Courtesy of: Shawn Kracht
Date: 05-2006 Rev 1.2

Mosler
Model KC1-2



Looking down from Top.
RH Mounted Lock.
Case and Dial sectioned.
Hidden lines not shown.
Courtesy of: Shawn Kracht
Date: 05-2006 Rev 1.2



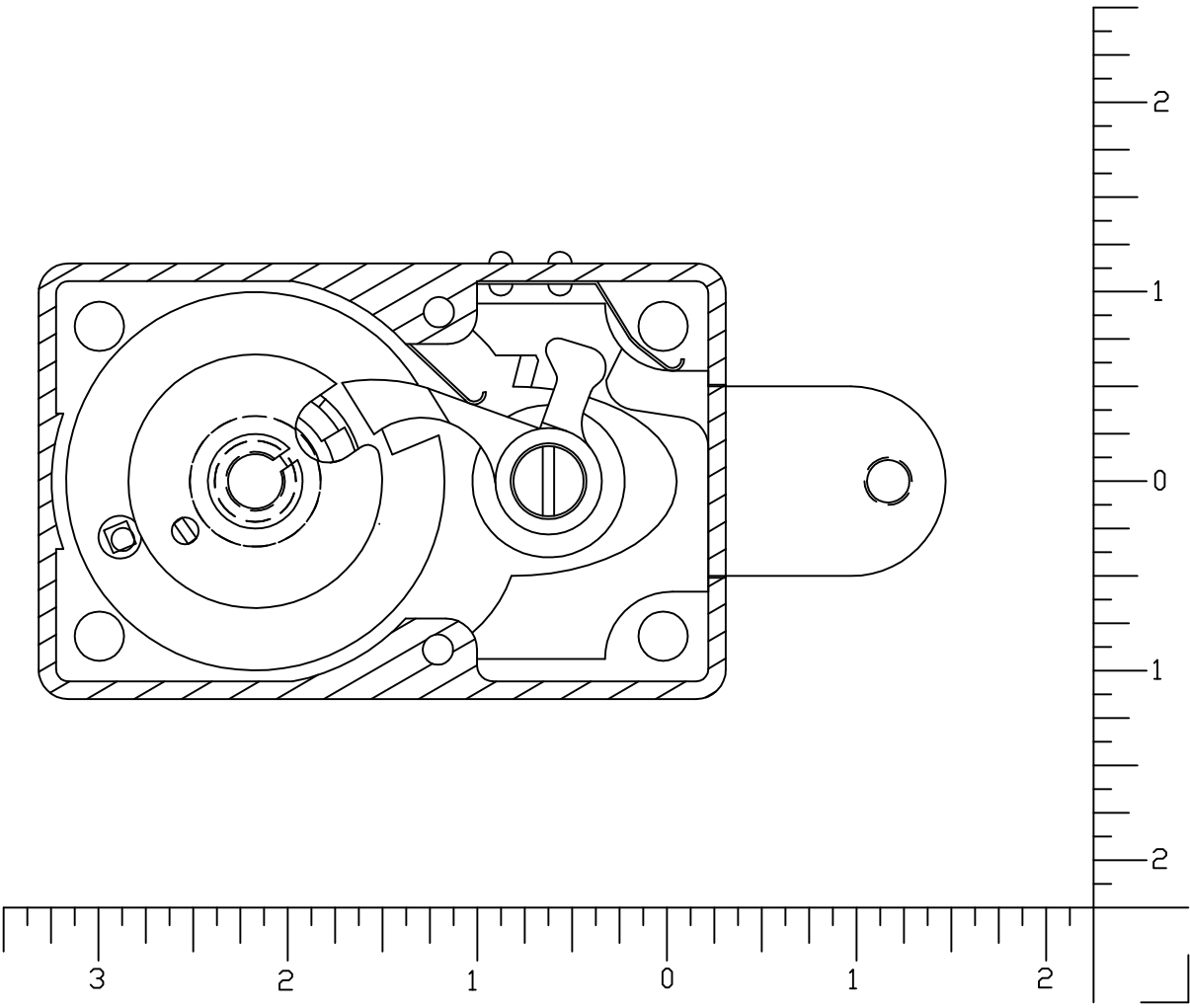
Mosler
Model KC1-2

Inside View Cover Removed.
Hidden Lines Not Shown.

Courtesy of: Shawn Kracht
Date: 05-2006 Rev 1.2

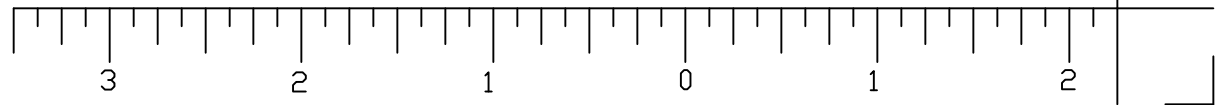
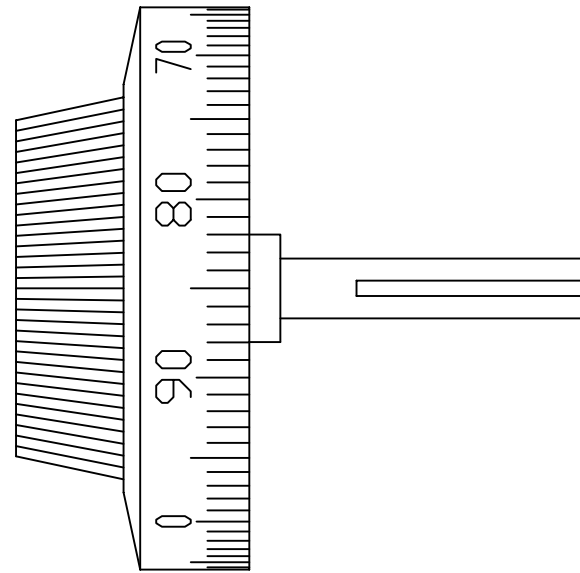
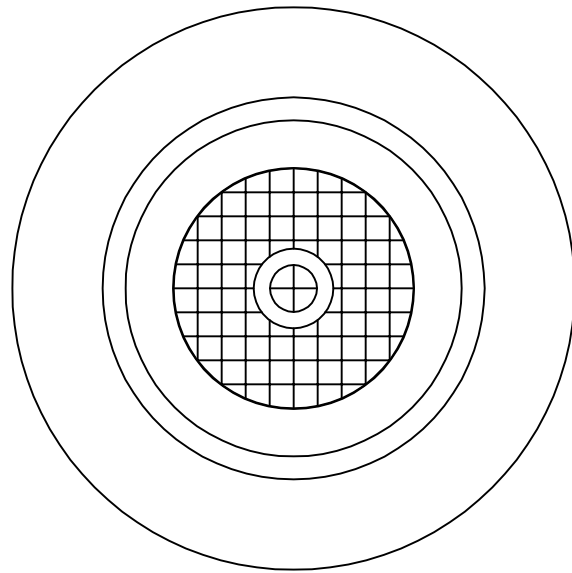
Mosler
Model KC1-2

Page 4 of 4



Splined at 30, Thd 5/16-40, Upside Down Numbers.
Dial 1.
Courtesy of: Shawn Kracht
Date: 05-2006 Rev 1.0

Mosler Dial



Single Index Mark

Dial Ring 1.

Courtesy of: _

Date: 05-2006 Rev 1.0

Mosler Dial Ring

Part Number _____

Page 1 of 1

