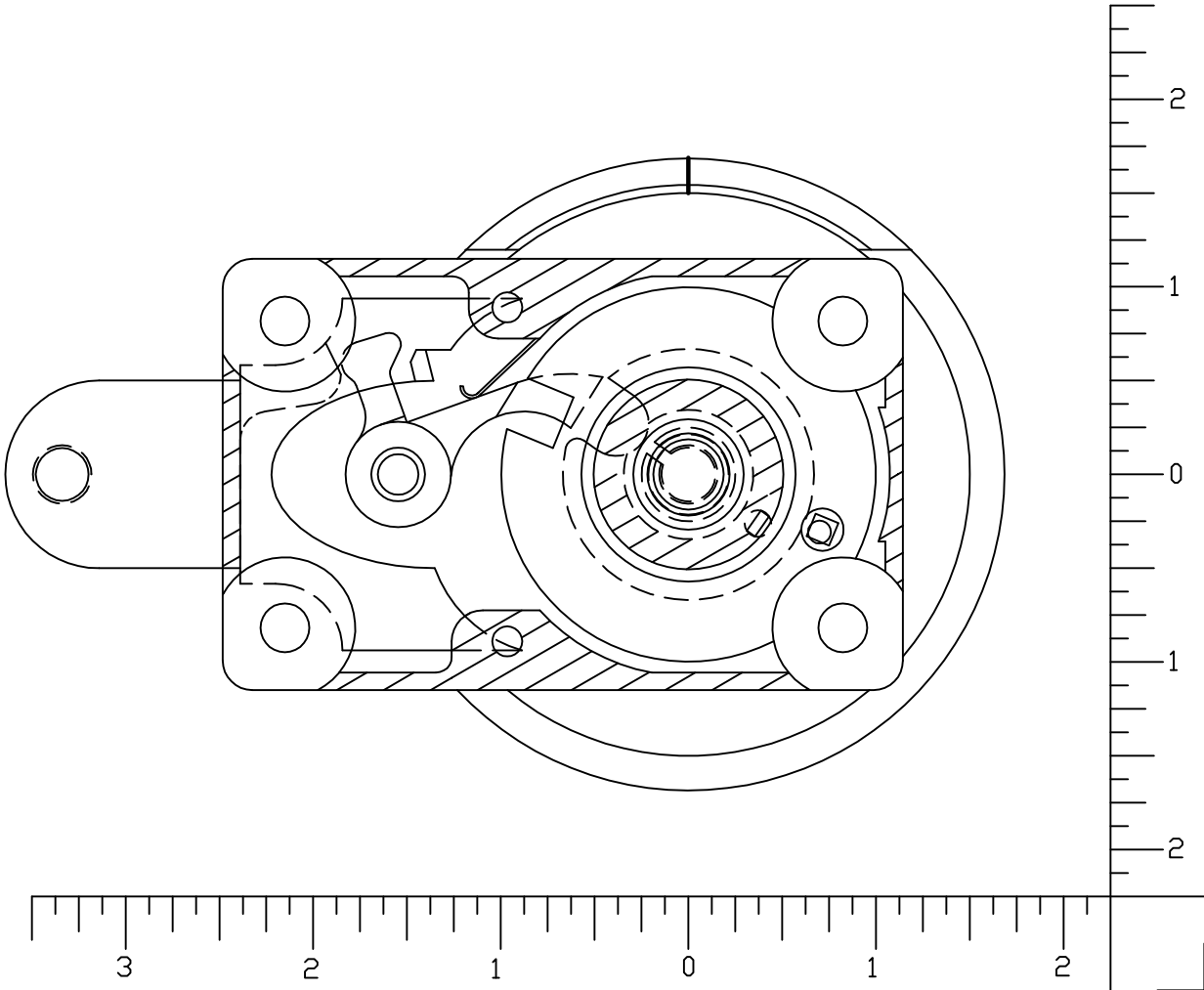


Mosler KC1-1



Thru Door Cut Away View, with dial, door and case back removed. Lock case stamped number 1. 5/16-24 bolt tapping.

Courtesy of: Shawn Kracht
Date: 05-2006 Rev 1.2



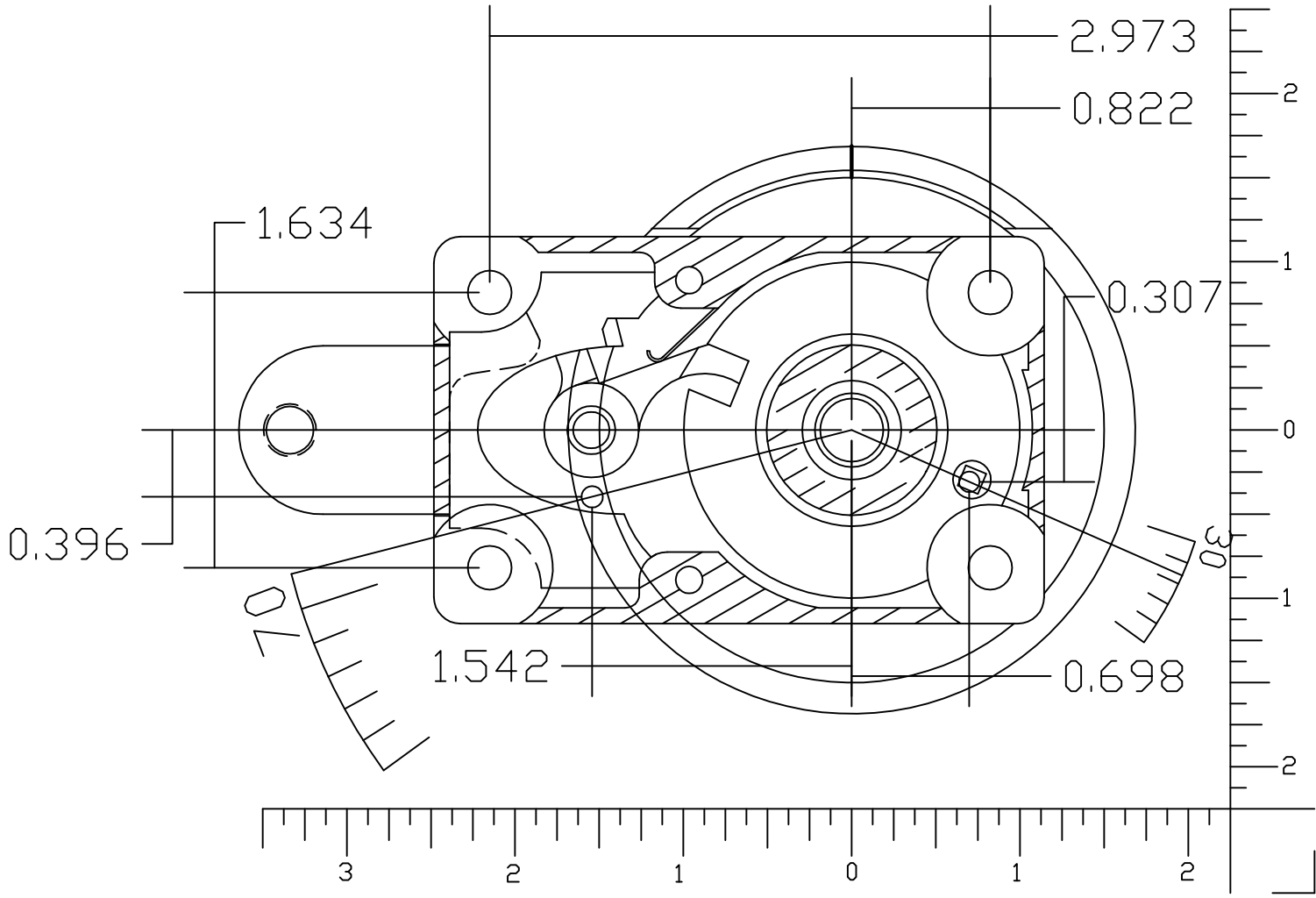
Mosler
Model KC1-1

Page 1 of 4

Drill Points.

Micro drill thru dial ring at 71 for scope and transfer to drop in at 81.

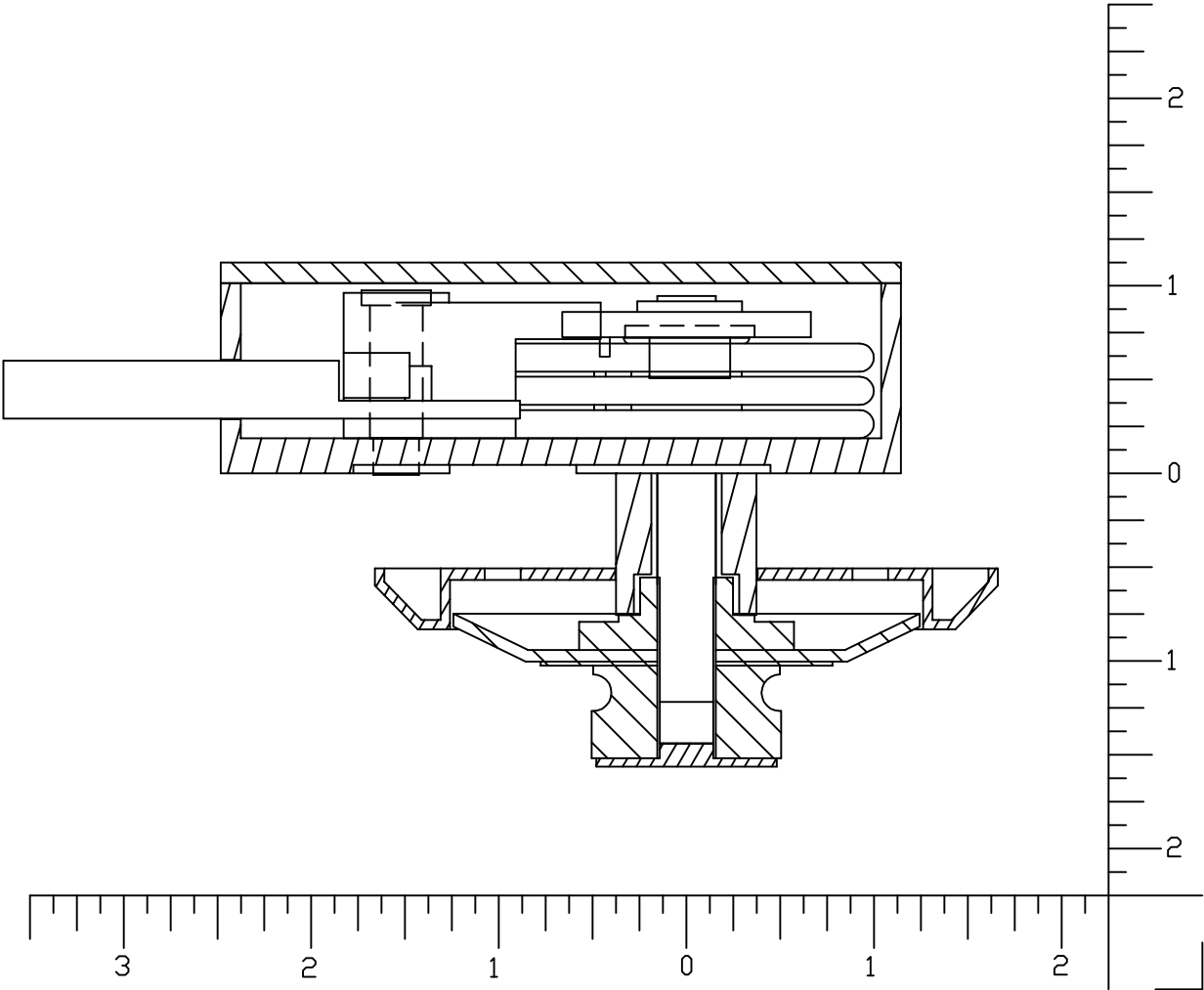
Courtesy of: Shawn kracht
Date: 05-2006 Rev 1.2



Mosler
Model KC1-1

Page 2 of 4

Looking down from Top.
RH Mounted Lock.
Case and Dial sectioned.
Hidden lines not shown.
Courtesy of: Shawn Kracht
Date: 05-2006 Rev 1.2



Mosler
Model KC1-1

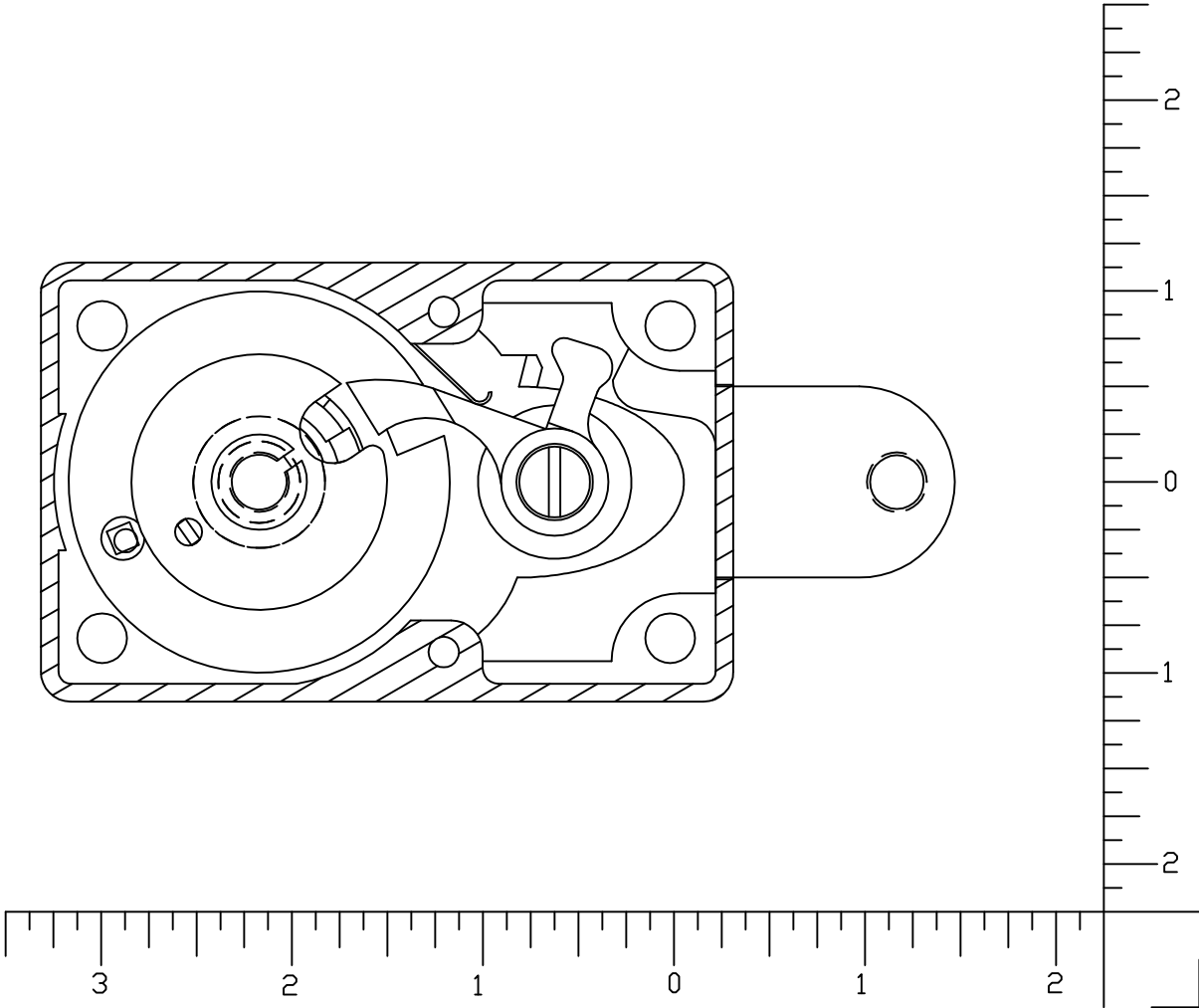
Page 3 of 4

Inside View Cover Removed.
Hidden Lines Not Shown.

Courtesy of: Shawn Kracht
Date: 05-2006 Rev 1.2

Mosler
Model KC1-1

Page 4 of 4



Dial from Kracht number one lock.

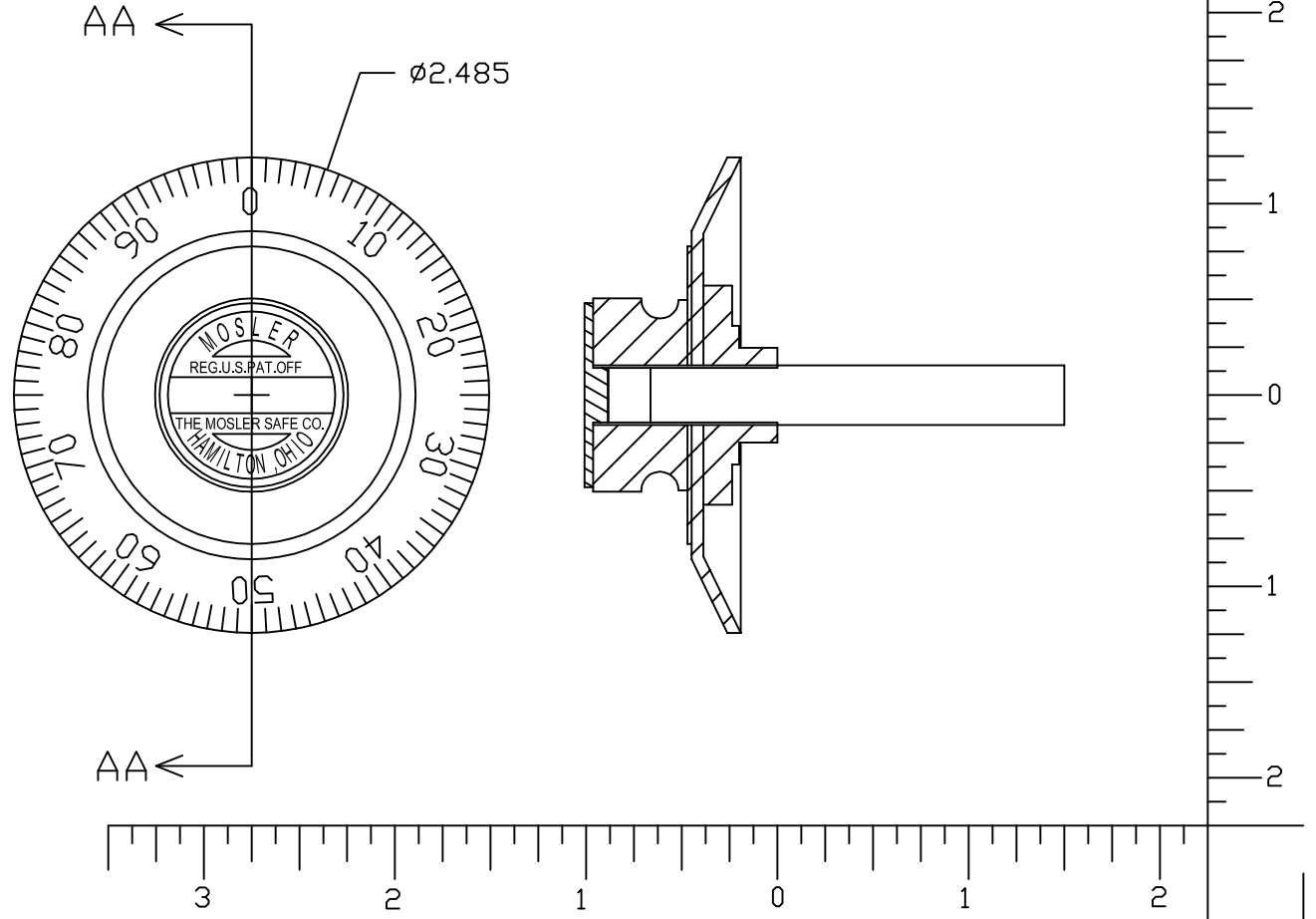
Splined at 82, Thd 5/16-40.

Dial 3.

Courtesy of: _

Date: 05-2006 Rev 1.0

Mosler Dial



Dial ring from Kracht number one Lock.

Dial Ring 3.

Courtesy of: _

Date: 05-2006 Rev 1.0

Mosler Dial Ring

