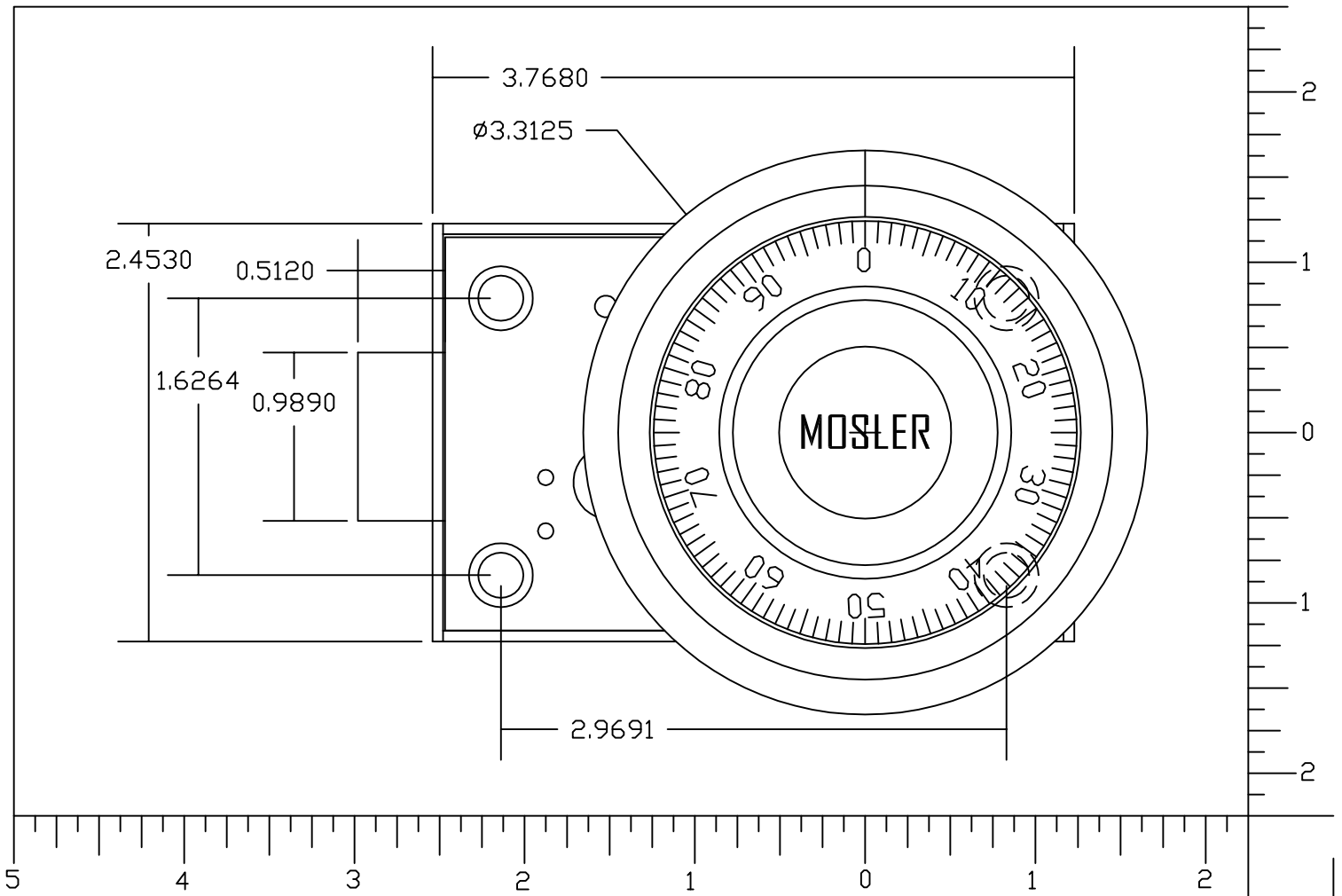


Pressed bronze case and cover. Three hand change wheels in the B-1, key change in the KCB-1. Wheels 1<sup>7</sup>/<sub>8</sub>" in dia. with a 1<sup>5</sup>/<sub>64</sub>" driver. Various bolt variations. The B-1 and the KCB-1 are normally equipped with tubes. Wheels are mounted on a cover post,

Courtesy of: Derek Oldham  
Date: 11-2006 Rev 1.1

Mosler B-1  
Hand Change

Page 1 of 6

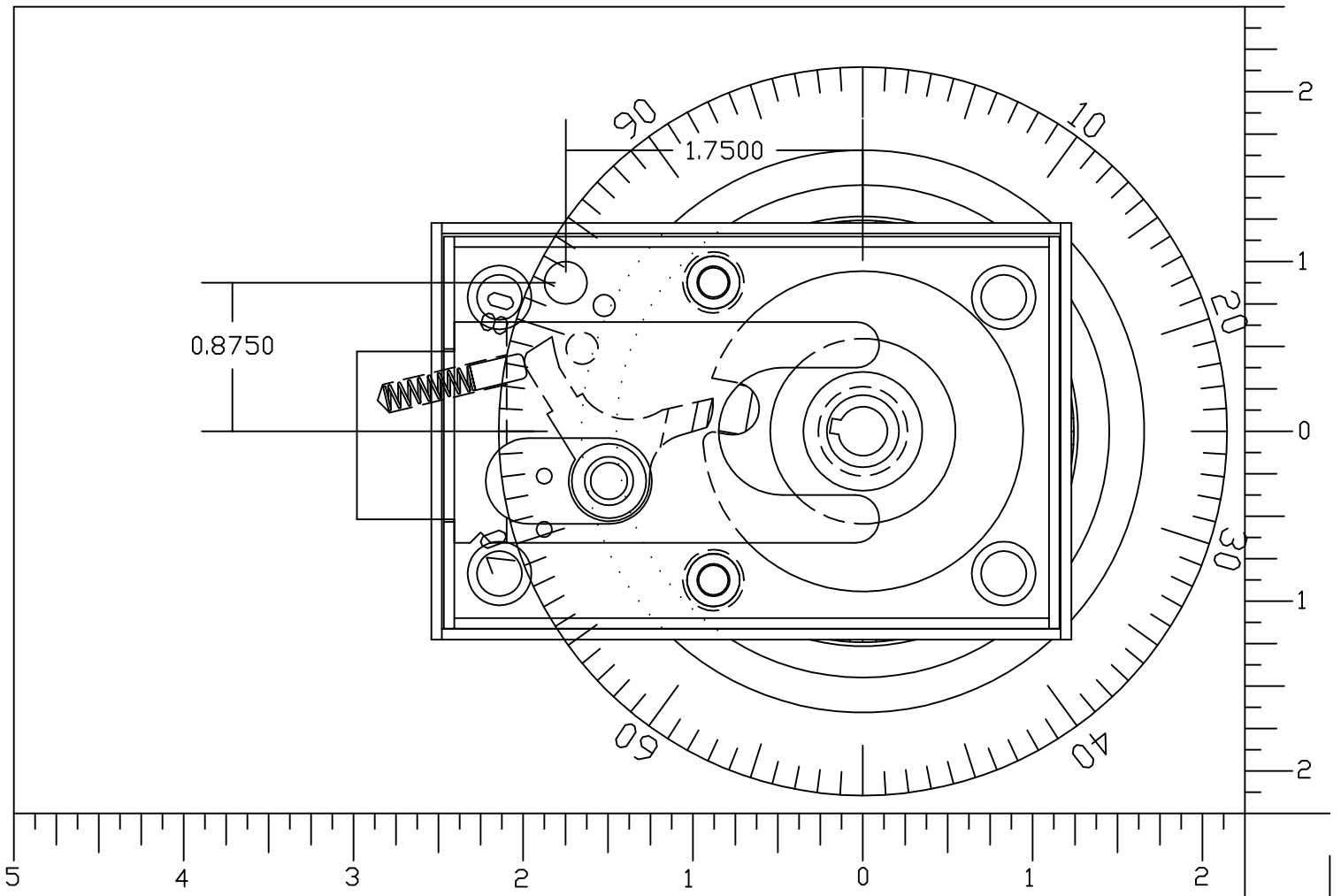


Pressed bronze case and cover. Three hand change wheels in the B-1, key change in the KCB-1. Wheels 1 $\frac{7}{8}$ " in dia. with a 1 $\frac{57}{64}$ " driver. Various bolt variations. The B-1 and the KCB-1 are normally equipped with tubes. Wheels are mounted on a cover post,

Cut away view, through door, wheel and hub detail not shown for clarity.

Courtesy of: Derek Oldham

Date: 11-2006 Rev 1.1



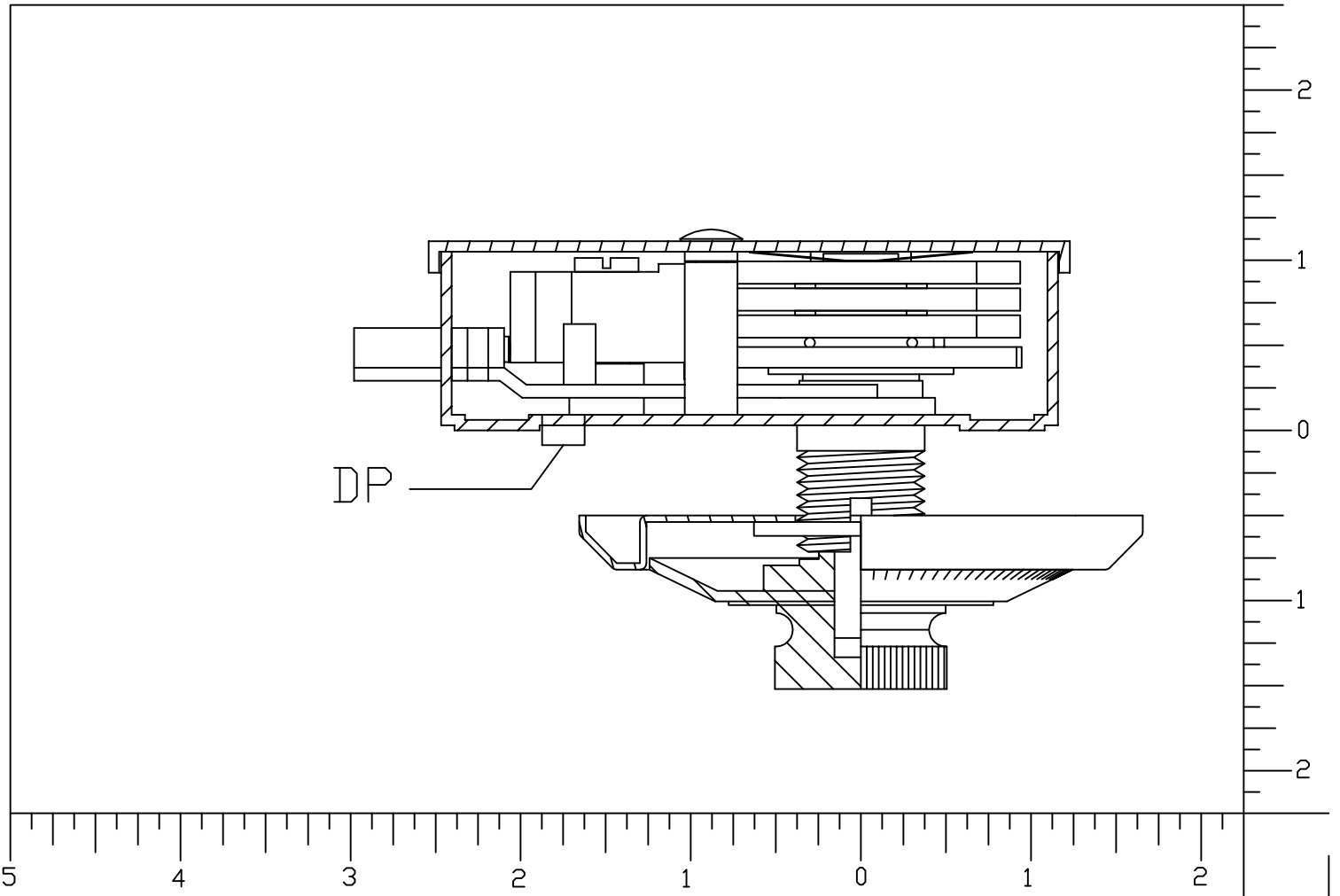
Mosler B-1  
Hand Change

Lock view from top with top of lock case and cover cut away.  
Dial and Dial Ring sectioned to show tube

Courtesy Derek Oldham  
Date: 11-2006 Rev 1.1

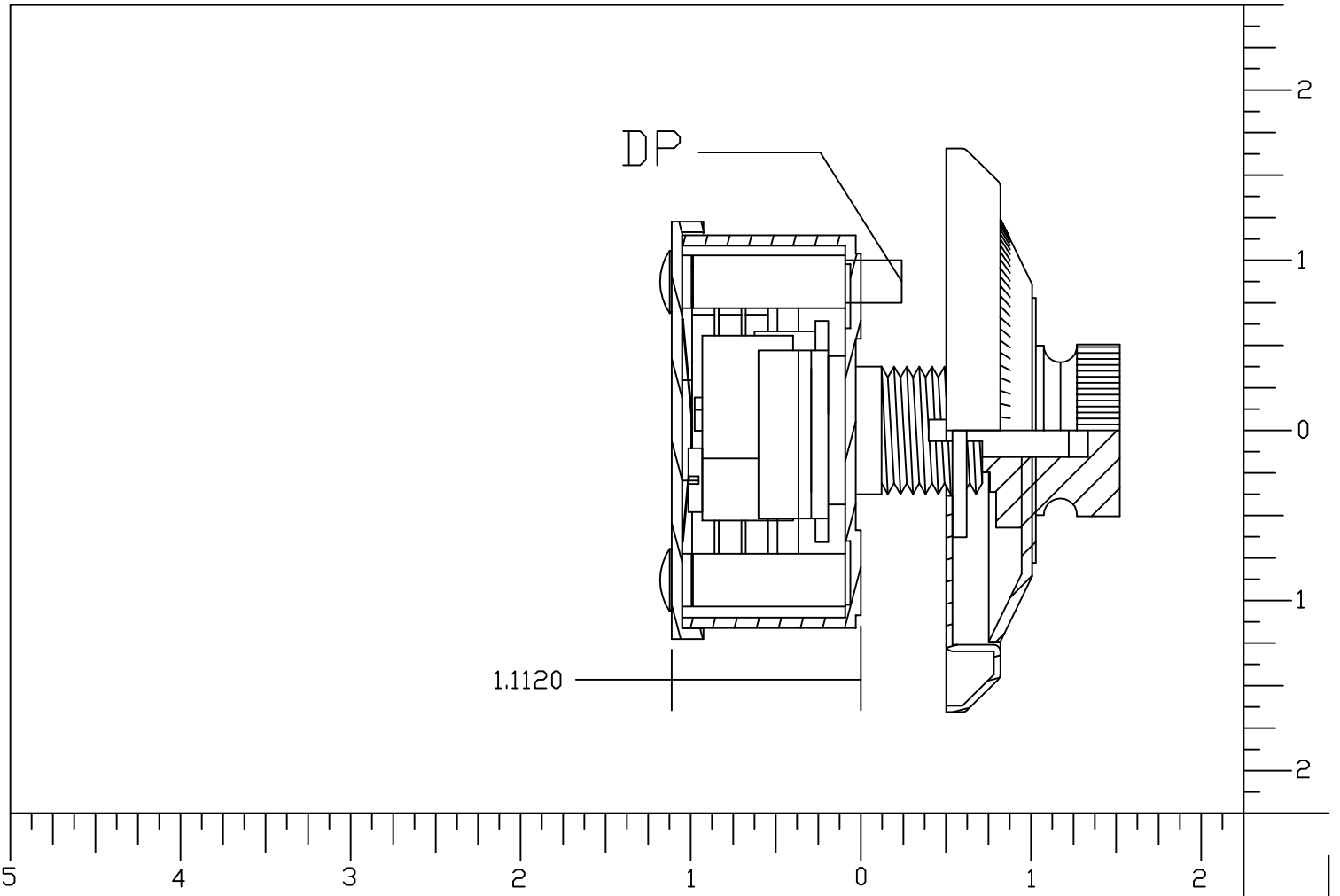
Mosler B-1  
Hand Change

Page 3 of 6



Bolt end view with case cut away.

Courtesy of Derek Oldham  
Date: 11-2006 Rev 1.1

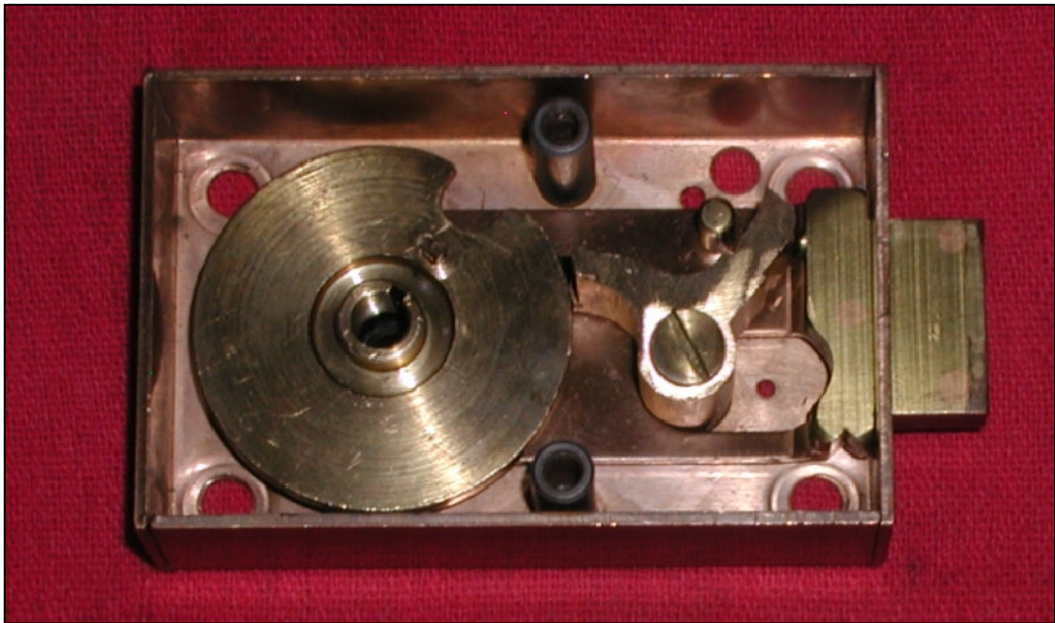


Mosler B-1  
Hand Change

Page 4 of 6

Inside view of lock

Courtesy Derek Oldham  
Date: 11-2006 Rev 1.1

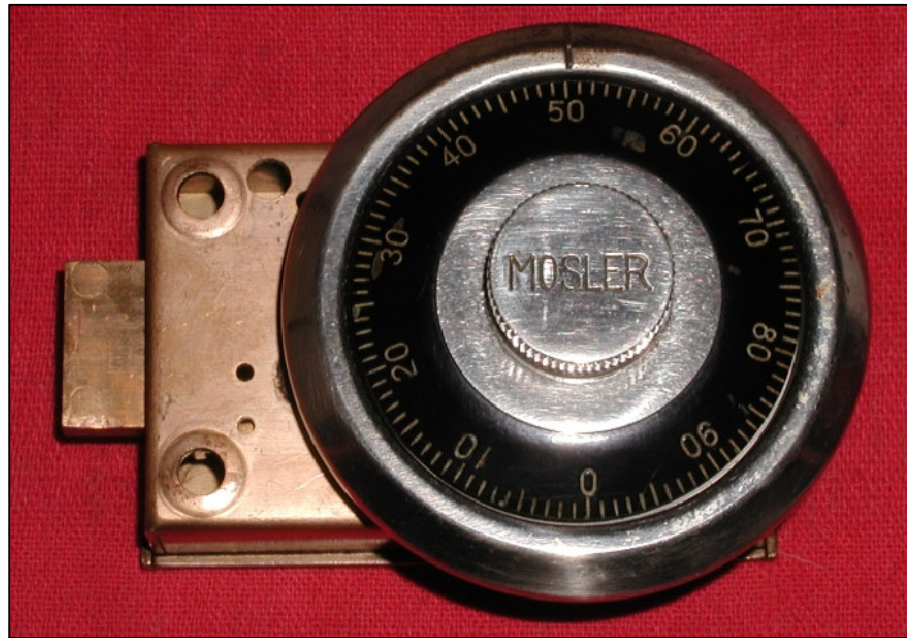


Mosler B-1

Page 5 of 6

Front View of Lock and Dial Ring

Courtesy of Derek Oldham  
Date: 11-2006 Rev 1.1



Mosler B-1

Page 6 of 6