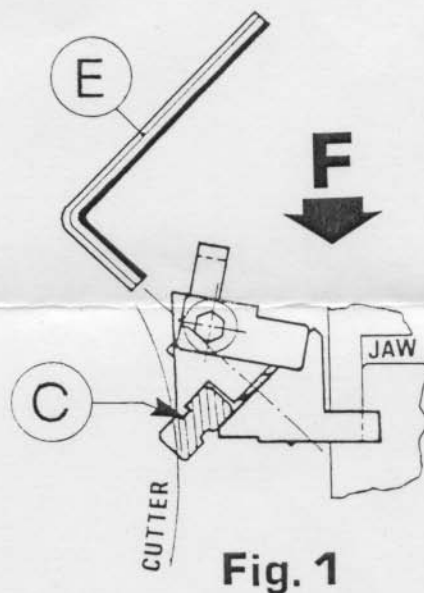
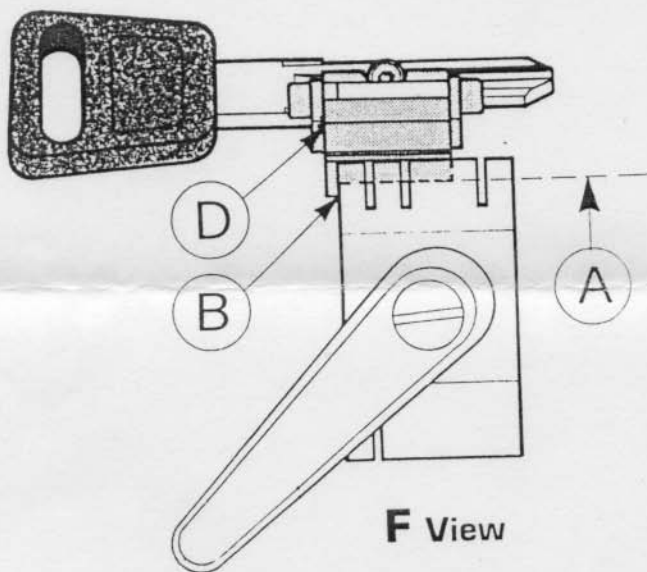


INSTRUCTIONS FOR CUTTING PORSCHE HU42-HU45 KEYS USING DUPLICATING ADAPTORS

code: D700011ZB for SPECIAL SUPER and SPECIAL MASTER machines
BRAVO SUPER and BRAVO MASTER machines

code: D705474ZB for REKORD and REKORD PLUS machines



- 1) Clamp the adaptors as shown in Fig.1 and "view F", taking care to fit the adaptors aligning the side (A) and shoulder (B) correctly.
- 2) Fitting the keys into the adaptors, the shoulders of the keys have to rest against the end of the adaptors. The milling groove has to rest against the outside face of the upper jaw of the adaptor (C); then tighten the allen screws.
Check for correct alignment of both keys.
- 3) Cut the first side of the key by raising the carriage and following the original.
- 4) To cut the second side, do not remove the keys; simply turn the adaptors over and replace as shown in Fig.2, taking care to following the instructions given in point 1.
- 5) To cut the third and fourth sides, remove the keys and re-clamp as described in point 2.
Then, following points 3 and 4, cut the remaining two sides.

